

EANCOM 2002 Syntax 3
Edition 2016_Update 2021

**Commercial account summary
(COACSU)**

Introduction.....	2
Branching Diagram	4
Message Structure.....	10
Segmentlayout.....	12
Codes	55
Example.....	195

Einführung

Introduction

The following message specification is based on the publication of the "Commercial Account Summary" of GS1 Global in syntax 3.

Status

MESSAGE TYPE: COACSU
REFERENCE DIRECTORY: D.01B
EANCOM® SUBSET VERSION: 004

Definition

A Commercial Account Summary message enables the transmission of commercial data concerning payments made and outstanding items on an account over a period of time. The message may be exchanged by trading partners or may be sent by parties to their authorised agents (e.g. accountants).

Principles

A Commercial Account Summary may:

- refer to Invoices, Credit Notes, Debit Notes, or payments over a period of time.
- refer to only one commercial account, in one payment currency.
- be initiated at any time by a party, depending upon agreement between the parties involved.
- provide information on a commercial account over a period of time. When the message is used in this way both payments made and amounts outstanding may be detailed.
- be used to provide aged analysis details on payments made and, or, amounts outstanding over periods defined by the parties.
- be used as a reminder of payment due for the current accounting period.
- be used as a demand for payment and detail penalties for amounts outstanding from previous accounting periods.
- be used to help in the reconciliation of commercial accounts when detailing payments made.
- be used to summarise other forms of commercial data such as pro-forma invoices.

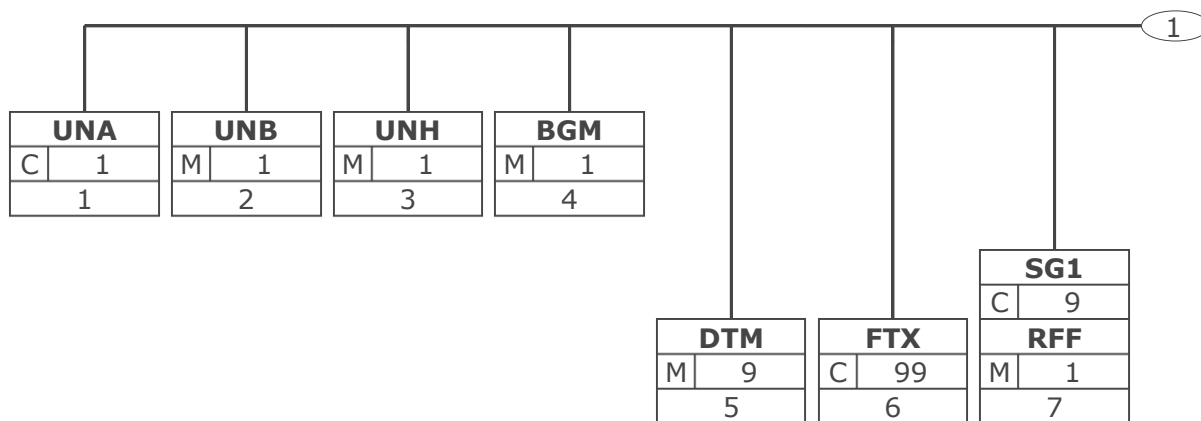
The Commercial Account Summary can also be used as a response to a previous Commercial Account Summary. In that way it may be:

- An acknowledgement of receipt and understanding of data.
- A confirmation of acceptance.
- A notification of non-acceptance of all or part of the message

Einführung

- A COACSU response may refer to one or more outstanding items (e.g. Invoices).
- A COACSU may be responded to by one response message.

Branching Diagram



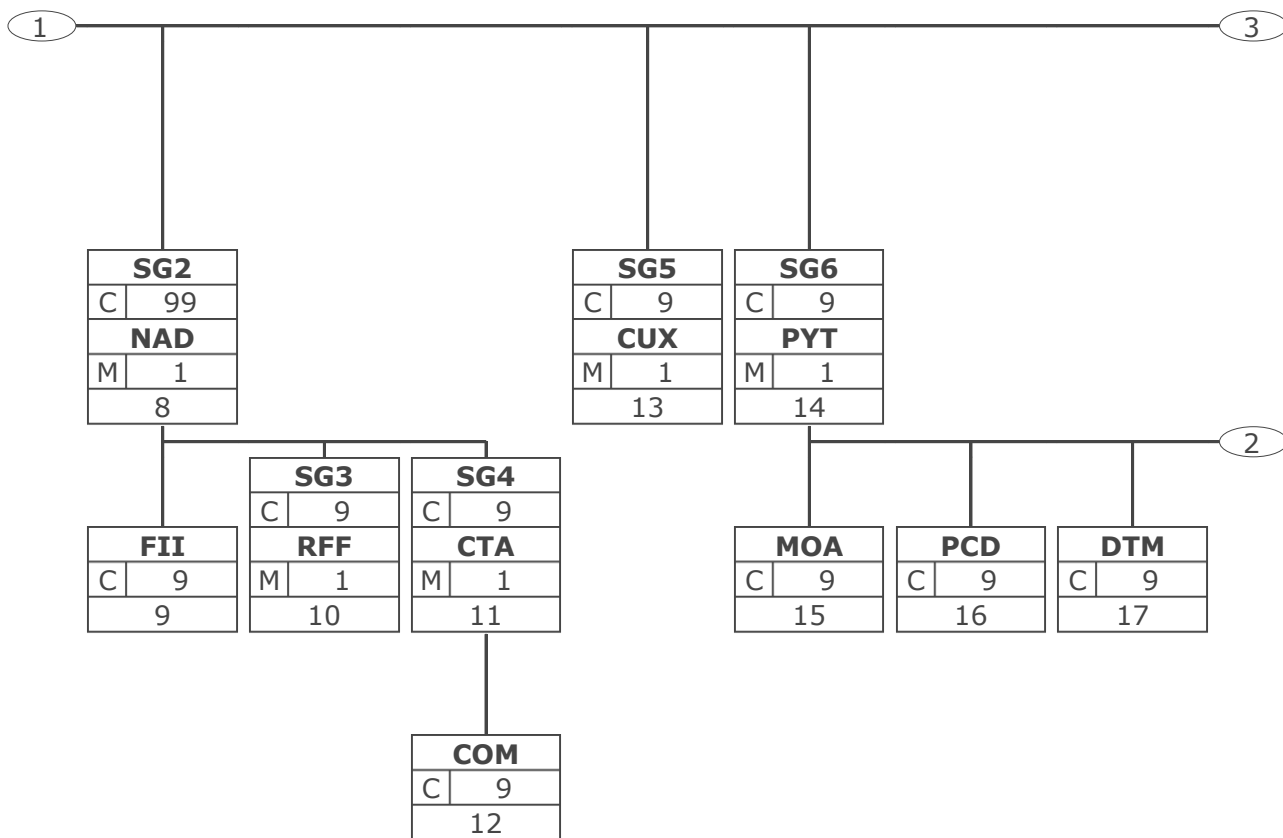
Tag	
St	MaxOcc
No	

Tag = Segment/Group Tag

St = Status (M=Mandatory, C=Conditional, R=Required, O=Optional, A=Advised, D=Dependent)

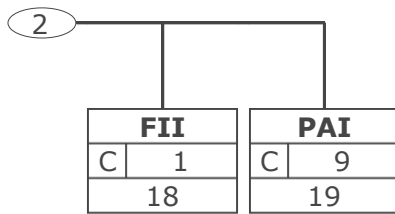
MaxOcc = Maximum occurrence of the segment/group; No = Consecutive segment number

Branching Diagram



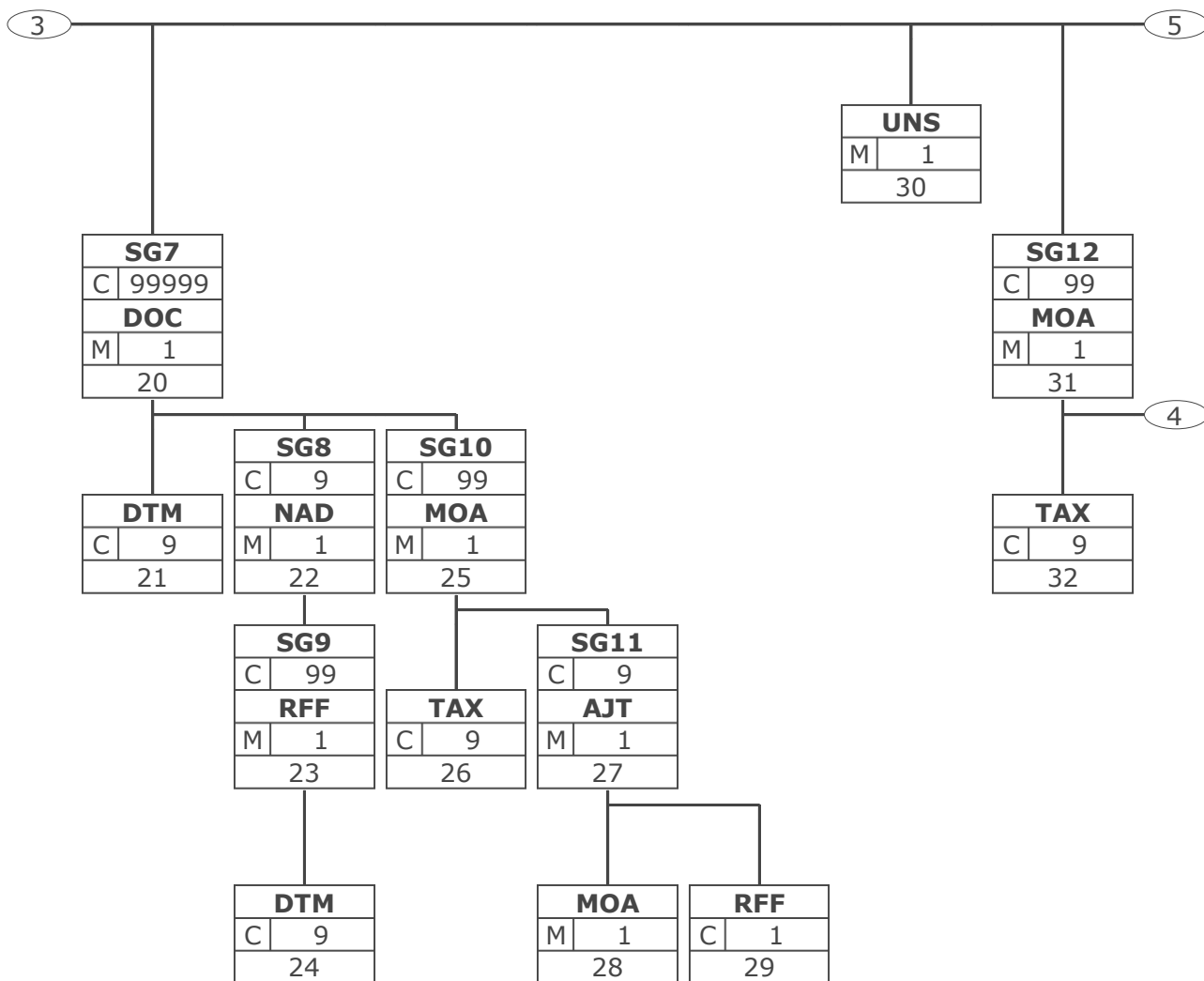
Tag	Tag = Segment/Group Tag
St MaxOcc	St = Status (M=Mandatory, C=Conditional, R=Required, O=Optional, A=Advised, D=Dependent)
No	MaxOcc = Maximum occurrence of the segment/group; No = Consecutive segment number

Branching Diagram



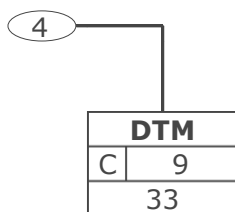
Tag	Tag = Segment/Group Tag
St MaxOcc	St = Status (M=Mandatory, C=Conditional, R=Required, O=Optional, A=Advised, D=Dependent)
No	MaxOcc = Maximum occurrence of the segment/group; No = Consecutive segment number

Branching Diagram



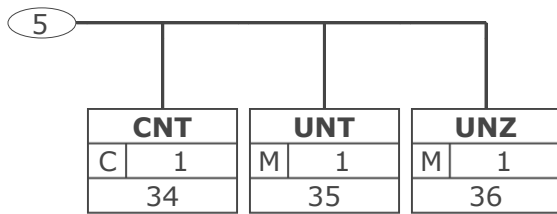
Tag	Tag = Segment/Group Tag
St	MaxOcc St = Status (M=Mandatory, C=Conditional, R=Required, O=Optional, A=Advised, D=Dependent)
No	MaxOcc = Maximum occurrence of the segment/group; No = Consecutive segment number

Branching Diagram



Tag	Tag = Segment/Group Tag
St MaxOcc	St = Status (M=Mandatory, C=Conditional, R=Required, O=Optional, A=Advised, D=Dependent)
No	MaxOcc = Maximum occurrence of the segment/group; No = Consecutive segment number

Branching Diagram



Tag	Tag = Segment/Group Tag
St MaxOcc	St = Status (M=Mandatory, C=Conditional, R=Required, O=Optional, A=Advised, D=Dependent)
No	MaxOcc = Maximum occurrence of the segment/group; No = Consecutive segment number

Message Structure

Seg.	No.	Status	Max Occ	Segment
UNA	1	C	1	Service string advice
UNB	2	M	1	Interchange header
Commercial Account Summary Heading Section				
UNH	3	M	1	Message header
BGM	4	M	1	Beginning of message
DTM	5	M	9	Date/time/period
FTX	6	C	99	Free text
SG1		C	9	RFF
RFF	7	M	1	Reference
SG2		C	99	NAD-FII-SG3-SG4
NAD	8	M	1	Name and address
FII	9	C	9	Financial institution information
SG3		C	9	RFF
RFF	10	M	1	Reference
SG4		C	9	CTA-COM
CTA	11	M	1	Contact information
COM	12	C	9	Communication contact
SG5		C	9	CUX
CUX	13	M	1	Currencies
SG6		C	9	PYT-MOA-PCD-DTM-FII-PAI
PYT	14	M	1	Payment terms
MOA	15	C	9	Monetary amount
PCD	16	C	9	Percentage details
DTM	17	C	9	Date/time/period
FII	18	C	1	Financial institution information
PAI	19	C	9	Payment instructions
Commercial Account Summary Detail Section				
SG7		C	99999	DOC-DTM-SG8-SG10
DOC	20	M	1	Document/message details
DTM	21	C	9	Date/time/period
SG8		C	9	NAD-SG9
NAD	22	M	1	Name and address
SG9		C	99	RFF-DTM
RFF	23	M	1	Reference
DTM	24	C	9	Date/time/period
SG10		C	99	MOA-TAX-SG11
MOA	25	M	1	Monetary amount
TAX	26	C	9	Duty/tax/fee details
SG11		C	9	AJT-MOA-RFF
AJT	27	M	1	Adjustment details
MOA	28	M	1	Monetary amount
RFF	29	C	1	Reference
Commercial Account Summary Summary Section				
UNS	30	M	1	Section control
SG12		C	99	MOA-TAX-DTM
MOA	31	M	1	Monetary amount
TAX	32	C	9	Duty/tax/fee details
DTM	33	C	9	Date/time/period
CNT	34	C	1	Control total
UNT	35	M	1	Message trailer

Max. Occ. = Maximum occurrence of the segment/group, Status: M=Mandatory, C=Conditional, R=Required, O=Optional, A=Advised, D=Dependent

Message Structure

Seg.	No.	Status	Max Occ	Segment
UNZ	36	M	1	Interchange trailer

Max. Occ. = Maximum occurrence of the segment/group, Status: M=Mandatory, C=Conditional, R=Required, O=Optional, A=Advised, D=Dependent

Segment Layout

No. Seg	St	Max. Occ.				
1	UNA	C 1	Service string advice			
To define the characters selected for use as delimiters and indicators in the rest of the interchange that follows.						
Business Term	DE	EDIFACT	Format	St	*	Description
	UNA1	Component data element separator	an1	M	*	Used as a separator between component data elements contained within a composite data element (default value: ":")
	UNA2	Data element separator	an1	M	*	Used to separate two simple or composite data elements (default value: "+")
	UNA3	Decimal notation	an1	M	*	Used to indicate the character used for decimal notation (default value: ".")
	UNA4	Release indicator	an1	M	*	Used to restore any service character to its original specification (value: "?").
	UNA5	Reserved for future use	an1	M	*	(default value: space)
	UNA6	Segment terminator	an1	M	*	Used to indicate the end of segment data (default value: "'")
<p>The service string advice shall begin with the upper case characters UNA immediately followed by six characters in the order shown below. The same character shall not be used in more than one position of the UNA.</p> <p>This segment is used to inform the receiver of the interchange that a set of service string characters which are different to the default characters are being used.</p> <p>When using the default set of service characters, the UNA segment need not be sent. If it is sent, it must immediately precede the UNB segment and contain the four service string characters (positions UNA1, UNA2, UNA4 and UNA6) selected by the interchange sender.</p> <p>Regardless of whether or not all of the service string characters are being changed every data element within this segment must be filled, (i.e., if some default values are being used with user defined ones, both the default and user defined values must be specified).</p> <p>When expressing the service string characters in the UNA segment, it is not necessary to include any element separators.</p> <p>The use of the UNA segment is required when using a character set other than level A.</p> <p>Example: UNA:+.?' '</p> <p>Example: UNA:+.?' '</p>						

Max. Occ. = Maximum Occurrence, St = Status, * = Restricted Codes

Status: M=Mandatory, R=Required, O=Optional, C=Conditional, D=Dependent, A=Advised, N=Not used

Segment Layout

No. Seg	St	Max. Occ.			
2	UNB	M 1	Interchange header To start, identify and specify an interchange.		
Business Term	DE	EDIFACT	Format	St	* Description
	S001	Syntax identifier		M	See Part I chapter 5.2.7 and segment notes.
	0001	Syntax identifier	a4	M	* UNOA UN/ECE level A UNOB UN/ECE level B UNOC UN/ECE level C UNOD UN/ECE level D UNOE UN/ECE level E UNOF UN/ECE level F
	0002	Syntax version number	n1	M	* 3 Version 3
	S002	Interchange sender		M	
	0004	Sender identification	an..35	M	GLN (n13)
	0007	Partner identification code qualifier	an..4	R	* 14 GS1
	0008	Address for reverse routing	an..14	O	
	S003	Interchange recipient		M	
	0010	Recipient identification	an..35	M	GLN (n13)
	0007	Partner identification code qualifier	an..4	R	* 14 GS1
	0014	Routing address	an..14	O	
	S004	Date/time of preparation		M	
	0017	Date of preparation	n6	M	YYMMDD
	0019	Time of preparation	n4	M	HHMM
	0020	Interchange control reference	an..14	M	Unique reference identifying the interchange. Created by the interchange sender.
	S005	Recipient's reference, password		O	
	0022	Recipient's reference/ password	an..14	M	
	0025	Recipient's reference/ password qualifier	an2	O	
	0026	Application reference	an..14	O	Message identification if the interchange contains only one type of message.
	0029	Processing priority code	a1	O	A Highest priority
	0031	Acknowledgement request	n1	O	1 Requested
	0032	Communications agreement ID	an..35	O	* EANCOM.....
	0035	Test indicator	n1	O	1 Interchange is a test

Max. Occ. = Maximum Occurrence, St = Status, * = Restricted Codes

Status: M=Mandatory, R=Required, O=Optional, C=Conditional, D=Dependent, A=Advised, N=Not used

Segment Layout

This segment is used to envelope the interchange, as well as to identify both, the party to whom the interchange is sent and the party who has sent the interchange. The principle of the UNB segment is the same as a physical envelope which covers one or more letters or documents, and which details, both the address where delivery is to take place and the address from where the envelope has come.

S001: The character encoding specified in basic code table of ISO/IEC 646 (7-bit coded character set for information interchange) shall be used for the interchange service string advice (if used) and up to and including the composite data element S001 'Syntax identifier' in the interchange header. The character repertoire used for the characters in an interchange shall be identified from the code value of data element 0001 in S001 'Syntax identifier' in the interchange header. The character repertoire identified does not apply to objects and/or encrypted data.

The default encoding technique for a particular repertoire shall be the encoding technique defined by its associated character set specification.

DE 0001: The recommended (default) character set for use in EANCOM® for international exchanges is character set A (UNOA). Should users wish to use character sets other than A, an agreement on which set to use should be reached on a bilateral basis before communications begin.

DE 0004, 0008, 0010, 0014, 0042 and 0046: Within EANCOM® the use of the Global Location Number (GLN) is recommended for the identification of the interchange sender and recipient.

DE 0008: Identification (e.g. a division) specified by the sender of the interchange, to be included if agreed, by the recipient in response interchanges, to facilitate internal routing.

DE 0042: Sub-level of sender internal identification, when further sub-level identification is required.

DE 0014: The address for routing, provided beforehand by the interchange recipient, is used by the interchange sender to inform the recipient of the internal address, within the latter's systems, to which the interchange should be routed. It is recommended that the GLN be used for this purpose.

DE 0007: Identification (e.g. a division) specified by the recipient of the interchange, to be included if agreed, by the sender in response interchanges, to facilitate internal routing.

DE 0046: Sub-level of recipient internal identification, when further sub-level identification is required.

DE S004: The date and time specified in this composite should be the date and time at which the interchange sender prepared the interchange. This date and time may not necessarily be the same as the date and time of contained messages.

DE 0020: The interchange control reference number is generated by the interchange sender and is used to identify uniquely each interchange. Should the interchange sender wish to re-use interchange control reference numbers, it is recommended that each number be preserved for at least a period of three months before being re-used. In order to guarantee uniqueness, the interchange control reference number should always be linked to the interchange sender's identification (DE 0004).

DE S005: The use of passwords must first be agreed bilaterally by the parties exchanging the interchange.

DE 0026: This data element is used to identify the application, on the interchange recipient's system, to which the interchange is directed. This data element may only be used if the interchange contains only one type of message, (e.g. only invoices). The reference used in this data element is assigned by the interchange sender.

DE 0031: This data element is used to indicate whether an acknowledgement to the interchange is required. The EANCOM® APERAK or CONTRL message should be used to provide acknowledgement of interchange receipt. In addition, the EANCOM® CONTRL message may be used to indicate when an interchange has been rejected due to syntax errors.

DE 0032: This data element is used to identify any underlying agreements which control the exchange of data. Within EANCOM®, the identity of such agreements must start with the letters 'EANCOM', the remaining characters within the data element being filled according to bilateral

Max. Occ. = Maximum Occurrence, St = Status, * = Restricted Codes

Status: M=Mandatory, R=Required, O=Optional, C=Conditional, D=Dependent, A=Advised, N=Not used

Segment Layout

agreements.

Example: UNB+UNOA:3+4012345000009:14:1+4000004000002:14:4000004000099+021013:1043+12345555+
REF:AA++A+1+EANCOM-DISI+1'

Example: UNB+UNOA:3+5412345678908:14+8798765432106:14+020102:1000+12345555+++++EANCOMREF
52'

Max. Occ. = Maximum Occurrence, St = Status, * = Restricted Codes

Status: M=Mandatory, R=Required, O=Optional, C=Conditional, D=Dependent, A=Advised, N=Not used

Segment Layout

No. Seg	St	Max. Occ.			
3	UNH	M 1	Message header To head, identify and specify a message.		
Business Term	DE	EDIFACT	Format	St	* Description
	0062	Message reference number	an..14	M	Senders unique message reference. Sequence number of messages in the interchange. DE 0062 in UNT will have the same value. Generated by the sender.
	S009	Message identifier		M	
	0065	Message type	an..6	M	* COACSU Commercial account summary message
	0052	Message version number	an..3	M	* D Draft version/ UN/EDIFACT Directory
	0054	Message release number	an..3	M	* 01B Release 2001 - B
	0051	Controlling agency	an..2	M	* UN UN/CEFACT
	0057	Association assigned code	an..6	R	* EAN004 GS1 version control number (GS1 Permanent Code)
<p>This segment is used to head, identify and specify a message. DE's 0065, 0052, and 0054: Indicate that the message is a UNSM Commercial Account Summary message based on the D.01B EDIFACT directory. Example: Example: UNH+X+COACSU:D:01B:UN:EAN004' Example: UNH+ME000001+COACSU:D:01B:UN:EAN004'</p>					

Max. Occ. = Maximum Occurrence, St = Status, * = Restricted Codes

Status: M=Mandatory, R=Required, O=Optional, C=Conditional, D=Dependent, A=Advised, N=Not used

Segment Layout

No. Seg	St	Max. Occ.				
4	BGM	M 1	Beginning of message To indicate the type and function of a message and to transmit the identifying number.			
Business Term	DE	EDIFACT	Format	St	*	Description
	C002	Document/message name		R		
	1001	Document name code	an..3	R	*	397 Commercial account summary response 731 Commercial account summary
	1131	Code list identification code	an..17	N		
	3055	Code list responsible agency code	an..3	D	*	9 GS1
	1000	Document name	an..35	O		
	C106	Document/message identification		R		
	1004	Document identifier	an..35	R		Number of the COACSU document assigned by document sender.
	1225	Message function code	an..3	R	*	9 Original
<p>This segment is used to indicate the type and function of a message and to transmit the identifying number. Example: This example identifies the document as being an original commercial account summary with the reference number CA5422. Example: BGM+731::9:X+X+9' Example: BGM+731::9+CA5422+9'</p>						

Max. Occ. = Maximum Occurrence, St = Status, * = Restricted Codes

Status: M=Mandatory, R=Required, O=Optional, C=Conditional, D=Dependent, A=Advised, N=Not used

Segment Layout

No.	Seg	St	Max. Occ.			
5	DTM	M	9	Date/time/period To specify date, and/or time, or period.		
Business Term	DE	EDIFACT	Format	St	*	Description
	C507	Date/time/period		M		
	2005	Date or time or period function code qualifier	an..3	M		137 Document/message date/time 263 Invoicing period 322 Accounting period 325 Tax period
	2380	Date or time or period value	an..35	R		
	2379	Date or time or period format code	an..3	R		102 CCYYMMDD 718 CCYYMMDD- CCYYMMDD

This segment is used to specify any dates related to the commercial account summary.
DE 2005: Identification of the 'Document/message date/time' (code value 137) is mandatory in an EANCOM message.

Example:

The commercial account summary has a message date of the 1st of July 2002 and covers the invoicing period of the 1st of June 2002 to the 30th of June 2002.

Example: DTM+137:X:102'

Example: DTM+137:20020701:102'

Example: DTM+263:2002060120020630:718'

Max. Occ. = Maximum Occurrence, St = Status, * = Restricted Codes

Status: M=Mandatory, R=Required, O=Optional, C=Conditional, D=Dependent, A=Advised, N=Not used

Segment Layout

No. Seg	St	Max. Occ.				
6	FTX	C 99	Free text To provide free form or coded text information.			
Business Term	DE	EDIFACT	Format	St	* Description	
	4451	Text subject code qualifier	an..3	M	ABN Accounting information ZZZ Mutually defined	
	4453	Free text function code	an..3	O *	1 Text for subsequent use	
	C107	Text reference		D	This composite is only used when trading partners have agreed to use mutually defined code values.	
	4441	Free text value code	an..17	M	001 = Reference to standard text between trading partners.	
	1131	Code list identification code	an..17	O		
	3055	Code list responsible agency code	an..3	D	91 Assigned by supplier or supplier's agent 92 Assigned by buyer or buyer's agent	
	C108	Text literal		D	This composite is only used if coded text can not be used.	
	4440	Free text value	an..51	M		
	4440	Free text value	an..51	O		
	4440	Free text value	an..51	O		
	4440	Free text value	an..51	O		
	4440	Free text value	an..51	O		
	3453	Language name code	an..3	D	ISO 639 two alpha code This data element is only used when non coded free text has been provided in data element C108.	
<p>This segment is used to provide additional free text information related to the entire message. Use of this segment in free form is not recommended since in most cases it inhibits automatic processing of the commercial account summary. Coded references to standard texts is an available functionality which enables automatic processing and reduces transmission and processing overheads. Standard texts should be mutually defined among trading partners and can be used to cover legal and other requirements.</p> <p>Example: (E.g. Accounting information standard text code 001 = Please note payment and penalty terms).</p> <p>Example: FTX+ABN+1+001:23:91+X:X:X:X+AA '</p> <p>Example: FTX+ABN+1+001::91 '</p>						

Max. Occ. = Maximum Occurrence, St = Status, * = Restricted Codes

Status: M=Mandatory, R=Required, O=Optional, C=Conditional, D=Dependent, A=Advised, N=Not used

Segment Layout

No.	Seg	St	Max. Occ.			
	SG1	C	9	RFF		
	A group of segments to provide references related to the heading section.					
7	RFF	M	1	Reference		
	To specify a reference.					
Business Term	DE	EDIFACT	Format	St	*	Description
	C506	Reference		M		
	1153	Reference code qualifier	an..3	M		ABO Originator's reference CT Contract number AE Authorization for expense (AFE) number AKO Action authorization number ANJ Authorization number APQ Commercial account summary reference number PQ Payment reference
	1154	Reference identifier	an..70	R		
This segment is used to provide references related to the heading section. Example: Example: RFF+CT:X' Example: RFF+CT:TT76GZ45'						

Max. Occ. = Maximum Occurrence, St = Status, * = Restricted Codes
 Status: M=Mandatory, R=Required, O=Optional, C=Conditional, D=Dependent, A=Advised, N=Not used

Segment Layout

No. Seg	St	Max. Occ.				
SG2	C	99	NAD-FII-SG3-SG4			
A group of segments identifying the parties involved in the transaction, financial information for the parties, and the contact points and numbers.						
8	NAD	M	1	Name and address		
To specify the name/address and their related function, either by C082 only and/or unstructured by C058 or structured by C080 thru 3207.						
Business Term	DE	EDIFACT	Format	St	*	Description
	3035	Party function code qualifier	an..3	M		AB Buyer's agent/ representative BY Buyer CO Corporate office II Issuer of invoice IV Invoicee PE Payee PR Payer SR Supplier's agent/ representative SU Supplier
	C082	Party identification details		A		
	3039	Party identifier	an..35	M		
	1131	Code list identification code	an..17	N		
	3055	Code list responsible agency code	an..3	R	*	9 GS1
	C058	Name and address		O		This composite may only be used to fulfill the requirements of directive 2003/58/EC, article 4.
	3124	Name and address description	an..35	M		
	3124	Name and address description	an..35	O		
	3124	Name and address description	an..35	O		
	3124	Name and address description	an..35	O		
	3124	Name and address description	an..35	O		
	C080	Party name		D		
	3036	Party name	an..35	M		Party Name in clear text.
	3036	Party name	an..35	O		
	3036	Party name	an..35	O		
	3036	Party name	an..35	O		
	3036	Party name	an..35	O		
	3045	Party name format code	an..3	O		
	C059	Street		D		

Max. Occ. = Maximum Occurrence, St = Status, * = Restricted Codes

Status: M=Mandatory, R=Required, O=Optional, C=Conditional, D=Dependent, A=Advised, N=Not used

Segment Layout

Business Term	DE	EDIFACT	Format	St	*	Description
	3042	Street and number or post office box identifier	an..35	M		Building Name/Number and Street Name
	3042	Street and number or post office box identifier	an..35	O		
	3042	Street and number or post office box identifier	an..35	O		
	3042	Street and number or post office box identifier	an..35	O		
	3164	City name	an..35	D		City/Town name, clear text
	C819	Country sub-entity details		D		
	3229	Country sub-entity name code	an..9	O		
	1131	Code list identification code	an..17	O		
	3055	Code list responsible agency code	an..3	O		
	3228	Country sub-entity name	an..70	O		County/State, clear text.
	3251	Postal identification code	an..17	D		Postal Code
	3207	Country name code	an..3	D		ISO 3166 two alpha code

This segment is used to identify the trading parties involved in the commercial account summary process. Identification of the buyer and supplier of goods and services is recommended in the commercial account summary.

Example:

Dependency Notes:

The following composites and data elements are only used when a coded name and address can not be used. The affected composites and data elements are as follows:

C080 - C059 - 3164 - C819 - 3251 - 3207

Example: NAD+AB+X::9+X:::X+X:X:X:X:X:1+X:X:X+X+X:23:2:X+X+AD'

Example: NAD+BY+5412345123453::9'

Example: NAD+SU+5411111123451::9'

Max. Occ. = Maximum Occurrence, St = Status, * = Restricted Codes

Status: M=Mandatory, R=Required, O=Optional, C=Conditional, D=Dependent, A=Advised, N=Not used

Segment Layout

No. Seg	St	Max. Occ.				
SG2	C	99	NAD-FII-SG3-SG4			
A group of segments identifying the parties involved in the transaction, financial information for the parties, and the contact points and numbers.						
9	FII	C	9	Financial institution information		
To identify an account and a related financial institution.						
Business Term	DE	EDIFACT	Format	St	*	Description
	3035	Party function code qualifier	an..3	M		PB Paying financial institution RB Receiving financial institution
	C078	Account holder identification		R		
	3194	Account holder identifier	an..35	R		
	3192	Account holder name	an..35	O		
	3192	Account holder name	an..35	O		
	6345	Currency identification code	an..3	O		ISO 4217 three alpha code
	C088	Institution identification		D		In some countries it is possible to identify within the account number the institution name and branch. Where this is possible the composite C088 will not be required. For international transactions it is recommended that the need for composite C088 should be checked before sending the message. When using C088 it is recommended that if data element 3433 is not used that 3432 be used, and that when data element 3434 is not used that data element 3436 be used.
	3433	Institution name code	an..11	A		
	1131	Code list identification code	an..17	C		25 Bank identification
	3055	Code list responsible agency code	an..3	D		5 ISO (International Organization for Standardization)
	3434	Institution branch identifier	an..17	O		
	1131	Code list identification code	an..17	O		
	3055	Code list responsible agency code	an..3	D		
	3432	Institution name	an..70	O		

Max. Occ. = Maximum Occurrence, St = Status, * = Restricted Codes

Status: M=Mandatory, R=Required, O=Optional, C=Conditional, D=Dependent, A=Advised, N=Not used

Segment Layout

Business Term	DE	EDIFACT	Format	St	*	Description
	3436	Institution branch location name	an..70	O		
	3207	Country name code	an..3	O		ISO 3166 two alpha code

This segment is used to identify the financial institution and account details of the party identified in the previous NAD segment.

Example:

The bank receiving the commercial account summary message is identified using the bank identification code KREDBEBB (which is maintained by ISO).

Example: FII+PB+X:X:X:EUR+BK:25:9:X:23:2:X:X+AD'

Example: FII+PB+24680123+KREDBEBB:25:5'

Max. Occ. = Maximum Occurrence, St = Status, * = Restricted Codes

Status: M=Mandatory, R=Required, O=Optional, C=Conditional, D=Dependent, A=Advised, N=Not used

Segment Layout

No. Seg	St	Max. Occ.				
SG2	C	99	NAD-FII-SG3-SG4			
A group of segments identifying the parties involved in the transaction, financial information for the parties, and the contact points and numbers.						
SG3	C	9	RFF			
A group of segments for specifying any references relating to the identified party.						
10	RFF	M	1	Reference		
To specify a reference.						
Business Term	DE	EDIFACT	Format	St	*	Description
	C506	Reference		M		
	1153	Reference code qualifier	an..3	M	*	AWX Company trading account number GN Government reference number VA VAT registration number XA Company/place registration number YC1 Additional party identification (GS1 Temporary Code)
	1154	Reference identifier	an..70	R		
This segment is used to specify reference numbers related to the parties identified in the previous NAD segment. Example: Example: RFF+YC1:X' Example: RFF+VA:VR12345'						

Max. Occ. = Maximum Occurrence, St = Status, * = Restricted Codes
 Status: M=Mandatory, R=Required, O=Optional, C=Conditional, D=Dependent, A=Advised, N=Not used

Segment Layout

No. Seg	St	Max. Occ.				
SG2	C	99	NAD-FII-SG3-SG4			
A group of segments identifying the parties involved in the transaction, financial information for the parties, and the contact points and numbers.						
SG4	C	9	CTA-COM			
A group of segments identifying the contact person or department for a trading party and specifying the communication channel and number.						
11	CTA	M	1	Contact information		
To identify a person or a department to whom communication should be directed.						
Business Term	DE	EDIFACT	Format	St	*	Description
	3139	Contact function code	an..3	R		AD Accounting contact AP Accounts payable contact AR Accounts receivable contact
	C056	Department or employee details		O		
	3413	Department or employee name code	an..17	O		
	3412	Department or employee name	an..35	O		
<p>This segment is used to identify the department and/or person within the party specified in the NAD.</p> <p>Global Location Number GLN - Format n13 - is particularly suitable for this purpose.</p> <p>Example:</p> <p>Example: CTA+AD+X:X'</p> <p>Example: CTA+AD+:MARK CARTER'</p>						

Max. Occ. = Maximum Occurrence, St = Status, * = Restricted Codes

Status: M=Mandatory, R=Required, O=Optional, C=Conditional, D=Dependent, A=Advised, N=Not used

Segment Layout

No. Seg	St	Max. Occ.				
SG2	C	99	NAD-FII-SG3-SG4			
A group of segments identifying the parties involved in the transaction, financial information for the parties, and the contact points and numbers.						
SG4	C	9	CTA-COM			
A group of segments identifying the contact person or department for a trading party and specifying the communication channel and number.						
12	COM	C	9	Communication contact		
To identify a communication number of a department or a person to whom communication should be directed.						
Business Term	DE	EDIFACT	Format	St	*	Description
	C076	Communication contact		M		
	3148	Communication address identifier	an..51	M		
	3155	Communication address code qualifier	an..3	M		EI EDI EM Electronic mail TE Telephone AO Uniform Resource Location (URL)
This segment is used to identify the communications number and the type of communications used for the person and/or department identified in the CTA segment.						
Example:						
Example: COM+X:EI'						
Example: COM+00448132445322:TE'						

Max. Occ. = Maximum Occurrence, St = Status, * = Restricted Codes

Status: M=Mandatory, R=Required, O=Optional, C=Conditional, D=Dependent, A=Advised, N=Not used

Segment Layout

No.	Seg	St	Max. Occ.			
	SG5	C	9	CUX		
	A group of segments specifying the currencies and related dates/periods valid for the whole commercial account summary.					
13	CUX	M	1	Currencies		
	To specify currencies used in the transaction and relevant details for the rate of exchange.					
Business Term	DE	EDIFACT	Format	St	*	Description
	C504	Currency details		R		
	6347	Currency usage code qualifier	an..3	M	*	2 Reference currency
	6345	Currency identification code	an..3	R		ISO 4217 three alpha
	6343	Currency type code qualifier	an..3	R		4 Invoicing currency 11 Payment currency
<p>This segment is used to specify the currency applicable to all monetary amounts detailed in the message.</p> <p>As the message is a single currency message the second occurrence of C504 and data element 5402 should not be used.</p> <p>Example:</p> <p>Example: CUX+2:EUR:4'</p> <p>Example: CUX+2:EUR:11'</p>						

Max. Occ. = Maximum Occurrence, St = Status, * = Restricted Codes

Status: M=Mandatory, R=Required, O=Optional, C=Conditional, D=Dependent, A=Advised, N=Not used

Segment Layout

No. Seg	St	Max. Occ.				
SG6	C	9	PYT-MOA-PCD-DTM-FII-PAI			
			A group of segments specifying the payment and penalty terms for the commercial account summary message.			
14	PYT	M 1	Payment terms			
			To specify the terms of payment.			
Business Term	DE	EDIFACT	Format	St	*	Description
	4279	Payment terms type code qualifier	an..3	M		1 Basic 3 Fixed date 7 Extended 20 Penalty terms 21 Payment by instalment 22 Discount
	C019	Payment terms		N		
	4277	Payment terms description identifier	an..17			
	2475	Time reference code	an..3	O		7 Date of present document
	2009	Terms time relation code	an..3	O		3 After reference
	2151	Period type code	an..3	O		D Day M Month WD Working days Y Year
	2152	Period count quantity	n..3	O		Number of periods for payment.
<p>This segment is used by the issuer of the commercial account summary to specify payment terms applicable to the complete message.</p> <p>Example: The following example indicates basic payment terms with payment due 30 days after the reference date which is the date of the present commercial account summary.</p> <p>Example: PYT+1++7+3+D+9' Example: PYT+1++7+3+D+30'</p>						

Max. Occ. = Maximum Occurrence, St = Status, * = Restricted Codes

Status: M=Mandatory, R=Required, O=Optional, C=Conditional, D=Dependent, A=Advised, N=Not used

Segment Layout

No. Seg	St	Max. Occ.				
15	SG6	C 9	PYT-MOA-PCD-DTM-FII-PAI			
	A group of segments specifying the payment and penalty terms for the commercial account summary message.					
	MOA	C 9	Monetary amount			
To specify a monetary amount.						
Business Term	DE	EDIFACT	Format	St	*	Description
	C516	Monetary amount		M		
	5025	Monetary amount type code qualifier	an..3	M		21 Cash discount 23 Charge amount 28E Financing allowance/charge (GS1 Temporary Code)
	5004	Monetary amount	n..35	R		Actual value being charged/discounted.
<p>This segment is used to specify monetary values which will be allowed or charged if the party receiving the message pays (does not pay) to terms. Example: Example: MOA+21:9' Example: MOA+21:100'</p>						

Max. Occ. = Maximum Occurrence, St = Status, * = Restricted Codes
 Status: M=Mandatory, R=Required, O=Optional, C=Conditional, D=Dependent, A=Advised, N=Not used

Segment Layout

No. Seg	St	Max. Occ.				
SG6	C	9	PYT-MOA-PCD-DTM-FII-PAI			
	A group of segments specifying the payment and penalty terms for the commercial account summary message.					
16	PCD	C	9	Percentage details		
	To specify percentage information.					
Business Term	DE	EDIFACT	Format	St	*	Description
	C501	Percentage details		M		
	5245	Percentage type code qualifier	an..3	M		7 Percentage of invoice 12 Discount 15 Penalty percentage 16 Interest percentage
	5482	Percentage	n..10	R		
	5249	Percentage basis identification code	an..3	O		13 Invoice value
	1131	Code list identification code	an..17	O		
	3055	Code list responsible agency code	an..3	D		
<p>This segment is used to specify percentages which will be allowed or charged if the party receiving the message pays (does not pay) to terms. Example: Example: PCD+7:9:13:23:2' Example: PCD+15:2.5:13'</p>						

Max. Occ. = Maximum Occurrence, St = Status, * = Restricted Codes

Status: M=Mandatory, R=Required, O=Optional, C=Conditional, D=Dependent, A=Advised, N=Not used

Segment Layout

No. Seg	St	Max. Occ.				
SG6	C	9	PYT-MOA-PCD-DTM-FII-PAI			
A group of segments specifying the payment and penalty terms for the commercial account summary message.						
17	DTM	C	9	Date/time/period		
To specify date, and/or time, or period.						
Business Term	DE	EDIFACT	Format	St	*	Description
	C507	Date/time/period		M		
	2005	Date or time or period function code qualifier	an..3	M	*	12 Terms discount due date/time 13 Terms net due date 209 Value date
	2380	Date or time or period value	an..35	R		
	2379	Date or time or period format code	an..3	R		102 CCYYMMDD 203 CCYYMMDDHHMM
This segment is used to specify any dates associated with the payment terms. Example: Net due date for payment is the 31st August 2002. Example: DTM+12:X:102' Example: DTM+13:20020831:102'						

Max. Occ. = Maximum Occurrence, St = Status, * = Restricted Codes

Status: M=Mandatory, R=Required, O=Optional, C=Conditional, D=Dependent, A=Advised, N=Not used

Segment Layout

No. Seg	St	Max. Occ.				
SG6	C	9	PYT-MOA-PCD-DTM-FII-PAI			
A group of segments specifying the payment and penalty terms for the commercial account summary message.						
18	FII	C	1	Financial institution information		
To identify an account and a related financial institution.						
Business Term	DE	EDIFACT	Format	St	*	Description
	3035	Party function code qualifier	an..3	M		OR Ordered bank
	C078	Account holder identification		R		
	3194	Account holder identifier	an..35	R		
	3192	Account holder name	an..35	O		
	3192	Account holder name	an..35	O		
	6345	Currency identification code	an..3	O		ISO 4217 three alpha code
	C088	Institution identification		R		When using C088 it is recommended that if data element 3433 is not used that 3432 be used, and that when data element 3434 is not used that data element 3436 be used.
	3433	Institution name code	an..11	R		
	1131	Code list identification code	an..17	O		25 Bank identification
	3055	Code list responsible agency code	an..3	D		5 ISO (International Organization for Standardization)
	3434	Institution branch identifier	an..17	O		
	1131	Code list identification code	an..17	O		
	3055	Code list responsible agency code	an..3	D		
	3432	Institution name	an..70	O		
	3436	Institution branch location name	an..70	O		
	3207	Country name code	an..3	O		ISO 3166 two alpha code
<p>This segment is used to specify any financial institution information which is specific to the payment terms previously detailed.</p> <p>Example: The bank receiving the commercial account summary message is identified using the bank identification code KREDBEBB (which is maintained by ISO).</p> <p>Example: FII+OR+X:X:X:EUR+BK:25:5:X:23:2:X:X+AD'</p> <p>Example: FII+MR++KREDBEBB:25:5'</p>						

Max. Occ. = Maximum Occurrence, St = Status, * = Restricted Codes

Status: M=Mandatory, R=Required, O=Optional, C=Conditional, D=Dependent, A=Advised, N=Not used

Segment Layout

No. Seg	St	Max. Occ.				
19	SG6	C 9	PYT-MOA-PCD-DTM-FII-PAI			
	A group of segments specifying the payment and penalty terms for the commercial account summary message.					
	PAI	C 9	Payment instructions			
To specify the instructions for payment.						
Business Term	DE	EDIFACT	Format	St	*	Description
	C534	Payment instruction details		M		
	4439	Payment conditions code	an..3	O		
	4431	Payment guarantee means code	an..3	O		
	4461	Payment means code	an..3	O		42 Payment to bank account
	1131	Code list identification code	an..17	O		
	3055	Code list responsible agency code	an..3	D		
	4435	Payment channel code	an..3	O		
<p>This segment is used to specify any payment instructions which are specific to the current payment terms. Example: Example: PAI+1:10:42:23:2:1 ' Example: PAI+::42'</p>						

Max. Occ. = Maximum Occurrence, St = Status, * = Restricted Codes
 Status: M=Mandatory, R=Required, O=Optional, C=Conditional, D=Dependent, A=Advised, N=Not used

Segment Layout

No. Seg	St	Max. Occ.			
SG7	C	99999	DOC-DTM-SG8-SG10		
A group of segments identifying documents and their numbers, e.g. invoices or credit notes to which the commercial account summary refers. The group may contain details of the monetary values associated with the documents and any relevant dates. There must be at least one occurrence of this group within the commercial account summary message.					
20	DOC	M 1	Document/message details		
To identify documents and details directly related to it.					
Business Term	DE	EDIFACT	Format	St	* Description
	C002	Document/message name		M	
	1001	Document name code	an..3	R	82 Metered services invoice 83 Credit note related to financial adjustments 84 Debit note related to financial adjustments 380 Commercial invoice 381 Credit note - goods and services 383 Debit note - goods and services 385 Consolidated invoice 386 Prepayment invoice 389 Self-billed invoice 390 Delcredere invoice 393 Factored invoice 481 Remittance advice
	1131	Code list identification code	an..17	O	
	3055	Code list responsible agency code	an..3	D	
	C503	Document/message details		R	
	1004	Document identifier	an..35	R	
This segment is used to identify the document for which summary information is being provided. Example: Example: DOC+380:23:9+X' Example: DOC+380+253-94'					

Max. Occ. = Maximum Occurrence, St = Status, * = Restricted Codes

Status: M=Mandatory, R=Required, O=Optional, C=Conditional, D=Dependent, A=Advised, N=Not used

Segment Layout

No. Seg	St	Max. Occ.				
SG7	C	99999	DOC-DTM-SG8-SG10			
A group of segments identifying documents and their numbers, e.g. invoices or credit notes to which the commercial account summary refers. The group may contain details of the monetary values associated with the documents and any relevant dates. There must be at least one occurrence of this group within the commercial account summary message.						
21	DTM	C 9	Date/time/period			
To specify date, and/or time, or period.						
Business Term	DE	EDIFACT	Format	St	*	Description
	C507	Date/time/period		M		
	2005	Date or time or period function code qualifier	an..3	M	*	137 Document/ message date/ time 140 Payment due date
	2380	Date or time or period value	an..35	R		
	2379	Date or time or period format code	an..3	R		102 CCYYMMDD 718 CCYYMMDD- CCYYMMDD
This segment is used to specify dates or periods relating to the documents given in the previous DOC segment. Example: Example: DTM+137:X:102' Example: DTM+137:20020511:102'						

Max. Occ. = Maximum Occurrence, St = Status, * = Restricted Codes

Status: M=Mandatory, R=Required, O=Optional, C=Conditional, D=Dependent, A=Advised, N=Not used

Segment Layout

No. Seg	St	Max. Occ.			
SG7	C	99999	DOC-DTM-SG8-SG10		
A group of segments identifying documents and their numbers, e.g. invoices or credit notes to which the commercial account summary refers. The group may contain details of the monetary values associated with the documents and any relevant dates. There must be at least one occurrence of this group within the commercial account summary message.					
SG8	C	9	NAD-SG9		
A group of segments to identify parties and any associated references related to the current document.					
22	NAD	M	1	Name and address	
To specify the name/address and their related function, either by C082 only and/or unstructured by C058 or structured by C080 thru 3207.					
Business Term	DE	EDIFACT	Format	St	* Description
	3035	Party function code qualifier	an..3	M	AB Buyer's agent/ representative BY Buyer CO Corporate office DP Delivery party II Issuer of invoice IV Invoicee PE Payee PR Payer SR Supplier's agent/ representative SU Supplier
	C082	Party identification details		A	
	3039	Party identifier	an..35	M	
	1131	Code list identification code	an..17	N	
	3055	Code list responsible agency code	an..3	R	* 9 GS1
	C058	Name and address		O	This composite may only be used to fulfill the requirements of directive 2003/58/EC, article 4.
	3124	Name and address description	an..35	M	
	3124	Name and address description	an..35	O	
	3124	Name and address description	an..35	O	
	3124	Name and address description	an..35	O	
	3124	Name and address description	an..35	O	
	C080	Party name		D	
	3036	Party name	an..35	M	Party Name in clear text.

Max. Occ. = Maximum Occurrence, St = Status, * = Restricted Codes

Status: M=Mandatory, R=Required, O=Optional, C=Conditional, D=Dependent, A=Advised, N=Not used

Segment Layout

Business Term	DE	EDIFACT	Format	St	*	Description
	3036	Party name	an..35	O		
	3036	Party name	an..35	O		
	3036	Party name	an..35	O		
	3036	Party name	an..35	O		
	3045	Party name format code	an..3	O		
	C059	Street		D		
	3042	Street and number or post office box identifier	an..35	M		Building Name/Number and Street Name
	3042	Street and number or post office box identifier	an..35	O		
	3042	Street and number or post office box identifier	an..35	O		
	3042	Street and number or post office box identifier	an..35	O		
	3164	City name	an..35	D		City/Town name, clear text
	C819	Country sub-entity details		D		
	3229	Country sub-entity name code	an..9	O		
	1131	Code list identification code	an..17	O		
	3055	Code list responsible agency code	an..3	O		
	3228	Country sub-entity name	an..70	O		County/State, clear text.
	3251	Postal identification code	an..17	D		Postal Code
	3207	Country name code	an..3	D		ISO 3166 two alpha code

This segment is used to identify the parties associated with the document identified in the DOC segment.

Example:

Dependency Notes:

The following composites and data elements are only used when a coded name and address can not be used. The affected composites and data elements are as follows:

C080 - C059 - 3164 - C819 - 3251 - 3207

Example: NAD+AB+X::9+X:::X+X:X:X:X:X:1+X:X:X:X+X+X:23:2:X+X+AD'

Example: NAD+DP+5412345111115::9'

Max. Occ. = Maximum Occurrence, St = Status, * = Restricted Codes

Status: M=Mandatory, R=Required, O=Optional, C=Conditional, D=Dependent, A=Advised, N=Not used

Segment Layout

No. Seg	St	Max. Occ.			
SG7	C	99999	DOC-DTM-SG8-SG10		
A group of segments identifying documents and their numbers, e.g. invoices or credit notes to which the commercial account summary refers. The group may contain details of the monetary values associated with the documents and any relevant dates. There must be at least one occurrence of this group within the commercial account summary message.					
SG8	C	9	NAD-SG9		
A group of segments to identify parties and any associated references related to the current document.					
SG9	C	99	RFF-DTM		
A group of segments for specifying any references relating to the party.					
23	RFF	M	1	Reference	
To specify a reference.					
Business Term	DE	EDIFACT	Format	St	* Description
	C506	Reference		M	
	1153	Reference code qualifier	an..3	M	AAK Despatch advice number BO Blanket order number DQ Delivery note number ON Order number (buyer) PL Price list number RA Remittance advice number VN Order number (supplier)
	1154	Reference identifier	an..70	R	
	1156	Document line identifier	an..6	O	
This segment is used to specify reference numbers related to the parties identified in the previous NAD segment. Example: Example: RFF+AAK:X:X' Example: RFF+ON:VR12345'					

Max. Occ. = Maximum Occurrence, St = Status, * = Restricted Codes

Status: M=Mandatory, R=Required, O=Optional, C=Conditional, D=Dependent, A=Advised, N=Not used

Segment Layout

No. Seg	St	Max. Occ.				
SG7	C	99999	DOC-DTM-SG8-SG10			
A group of segments identifying documents and their numbers, e.g. invoices or credit notes to which the commercial account summary refers. The group may contain details of the monetary values associated with the documents and any relevant dates. There must be at least one occurrence of this group within the commercial account summary message.						
SG8	C	9	NAD-SG9			
A group of segments to identify parties and any associated references related to the current document.						
SG9	C	99	RFF-DTM			
A group of segments for specifying any references relating to the party.						
24	DTM	C	9	Date/time/period		
To specify date, and/or time, or period.						
Business Term	DE	EDIFACT	Format	St	*	Description
	C507	Date/time/period		M		
	2005	Date or time or period function code qualifier	an..3	M	*	171 Reference date/ time
	2380	Date or time or period value	an..35	R		
	2379	Date or time or period format code	an..3	R		102 CCYYMMDD 718 CCYYMMDD- CCYYMMDD
This segment is used to specify dates or periods relating to the references given in the previous RFF segment. Example: Example: DTM+171:X:102' Example: DTM+171:20020501:102'						

Max. Occ. = Maximum Occurrence, St = Status, * = Restricted Codes

Status: M=Mandatory, R=Required, O=Optional, C=Conditional, D=Dependent, A=Advised, N=Not used

Segment Layout

No. Seg	St	Max. Occ.				
SG7	C	99999	DOC-DTM-SG8-SG10			
<p>A group of segments identifying documents and their numbers, e.g. invoices or credit notes to which the commercial account summary refers. The group may contain details of the monetary values associated with the documents and any relevant dates. There must be at least one occurrence of this group within the commercial account summary message.</p>						
SG10	C	99	MOA-TAX-SG11			
<p>A group of segments providing total monetary values, tax information, and adjustment details for the currently referenced document.</p>						
25	MOA	M	1	Monetary amount		
To specify a monetary amount.						
Business Term	DE	EDIFACT	Format	St	*	Description
	C516	Monetary amount		M		
	5025	Monetary amount type code qualifier	an..3	M		9 Amount due/amount payable 12 Amount remitted 39 Invoice total amount 124 Tax amount 125 Taxable amount 201 Penalty amount
	5004	Monetary amount	n..35	R		
<p>This segment is used to indicate values associated with the currently identified document, e.g. amount remitted, invoice total amount, etc.</p> <p>Example:</p> <p>Example: MOA+9:9'</p> <p>Example: MOA+9:5300'</p>						

Max. Occ. = Maximum Occurrence, St = Status, * = Restricted Codes

Status: M=Mandatory, R=Required, O=Optional, C=Conditional, D=Dependent, A=Advised, N=Not used

Segment Layout

No. Seg	St	Max. Occ.				
SG7	C	99999	DOC-DTM-SG8-SG10			
A group of segments identifying documents and their numbers, e.g. invoices or credit notes to which the commercial account summary refers. The group may contain details of the monetary values associated with the documents and any relevant dates. There must be at least one occurrence of this group within the commercial account summary message.						
SG10	C	99	MOA-TAX-SG11			
A group of segments providing total monetary values, tax information, and adjustment details for the currently referenced document.						
26	TAX	C	9	Duty/tax/fee details		
To specify relevant duty/tax/fee information.						
Business Term	DE	EDIFACT	Format	St	*	Description
	5283	Duty or tax or fee function code qualifier	an..3	M		5 Customs duty 7 Tax
	C241	Duty/tax/fee type		D		
	5153	Duty or tax or fee type name code	an..3	O		GST Goods and services tax VAT Value added tax
	1131	Code list identification code	an..17	O		
	3055	Code list responsible agency code	an..3	D		
	5152	Duty or tax or fee type name	an..35	O		
	C533	Duty/tax/fee account detail		O		
	5289	Duty or tax or fee account code	an..6	M		
	1131	Code list identification code	an..17	O		
	3055	Code list responsible agency code	an..3	D		
	5286	Duty or tax or fee assessment basis value	an..15	O		
	C243	Duty/tax/fee detail		A		
	5279	Duty or tax or fee rate code	an..7	O		
	1131	Code list identification code	an..17	O		
	3055	Code list responsible agency code	an..3	D		
	5278	Duty or tax or fee rate	an..17	R		The actual rate of tax/duty.
	5273	Duty or tax or fee rate basis code	an..12	O		
	1131	Code list identification code	an..17	O		
	3055	Code list responsible agency code	an..3	D		

Max. Occ. = Maximum Occurrence, St = Status, * = Restricted Codes

Status: M=Mandatory, R=Required, O=Optional, C=Conditional, D=Dependent, A=Advised, N=Not used

Segment Layout

Business Term	DE	EDIFACT	Format	St	*	Description
	5305	Duty or tax or fee category code	an..3	D		A Mixed tax rate E Exempt from tax S Standard rate
	3446	Party tax identifier	an..20	O		

This segment is used to specify the type and rate of tax or duty applicable to the amount specified in the previous MOA segment.

Dependency Notes:

DE C241 and 5305: Tax types and categories will differ from country to country. They are to be defined by national guidelines.

Example:

The value stated in the previous MOA segment is VAT rated at a standard rate of 21%.

Example: TAX+5+GST:23:2:X+X:23:2+X+X:23:2:X:1:23:2+A+X'

Example: TAX+7+VAT+++:::21+S'

Max. Occ. = Maximum Occurrence, St = Status, * = Restricted Codes

Status: M=Mandatory, R=Required, O=Optional, C=Conditional, D=Dependent, A=Advised, N=Not used

Segment Layout

No. Seg	St	Max. Occ.				
SG7	C	99999	DOC-DTM-SG8-SG10			
A group of segments identifying documents and their numbers, e.g. invoices or credit notes to which the commercial account summary refers. The group may contain details of the monetary values associated with the documents and any relevant dates. There must be at least one occurrence of this group within the commercial account summary message.						
SG10	C	99	MOA-TAX-SG11			
A group of segments providing total monetary values, tax information, and adjustment details for the currently referenced document.						
SG11	C	9	AJT-MOA-RFF			
A group of segments providing adjustment details related to the monetary value for the currently referenced document.						
27	AJT	M	1	Adjustment details		
To identify the reason for an adjustment.						
Business Term	DE	EDIFACT	Format	St	*	Description
	4465	Adjustment reason description code	an..3	M		1 Agreed settlement 3 Damaged goods 4 Short delivery 5 Price query 9 Invoice error
This segment is used to indicate the reason for an adjustment to the document monetary amount. Example: Example: AJT+1 ' Example: AJT+4 '						

Max. Occ. = Maximum Occurrence, St = Status, * = Restricted Codes

Status: M=Mandatory, R=Required, O=Optional, C=Conditional, D=Dependent, A=Advised, N=Not used

Segment Layout

No. Seg	St	Max. Occ.				
SG7	C	99999	DOC-DTM-SG8-SG10			
A group of segments identifying documents and their numbers, e.g. invoices or credit notes to which the commercial account summary refers. The group may contain details of the monetary values associated with the documents and any relevant dates. There must be at least one occurrence of this group within the commercial account summary message.						
SG10	C	99	MOA-TAX-SG11			
A group of segments providing total monetary values, tax information, and adjustment details for the currently referenced document.						
SG11	C	9	AJT-MOA-RFF			
A group of segments providing adjustment details related to the monetary value for the currently referenced document.						
28	MOA	M	1	Monetary amount		
To specify a monetary amount.						
Business Term	DE	EDIFACT	Format	St	*	Description
	C516	Monetary amount		M		
	5025	Monetary amount type code qualifier	an..3	M	*	5 Adjusted amount
	5004	Monetary amount	n..35	R		
This segment is used to indicate the value of an adjustment made to the amount specified in the MOA segment in group 10. Example: Example: MOA+5:9' Example: MOA+5:300'						

Max. Occ. = Maximum Occurrence, St = Status, * = Restricted Codes
Status: M=Mandatory, R=Required, O=Optional, C=Conditional, D=Dependent, A=Advised, N=Not used

Segment Layout

No. Seg	St	Max. Occ.				
SG7	C	99999	DOC-DTM-SG8-SG10			
A group of segments identifying documents and their numbers, e.g. invoices or credit notes to which the commercial account summary refers. The group may contain details of the monetary values associated with the documents and any relevant dates. There must be at least one occurrence of this group within the commercial account summary message.						
SG10	C	99	MOA-TAX-SG11			
A group of segments providing total monetary values, tax information, and adjustment details for the currently referenced document.						
SG11	C	9	AJT-MOA-RFF			
A group of segments providing adjustment details related to the monetary value for the currently referenced document.						
29	RFF	C	1	Reference		
To specify a reference.						
Business Term	DE	EDIFACT	Format	St	*	Description
	C506	Reference		M		
	1153	Reference code qualifier	an..3	M		ALQ Returns notice number DQ Delivery note number ON Order number (buyer) PL Price list number VN Order number (supplier)
	1154	Reference identifier	an..70	R		
This segment is used to specify any references related to the previously specified adjustment details. Example: Example: RFF+DQ:X' Example: RFF+PL:425'						

Max. Occ. = Maximum Occurrence, St = Status, * = Restricted Codes

Status: M=Mandatory, R=Required, O=Optional, C=Conditional, D=Dependent, A=Advised, N=Not used

Segment Layout

No.	Seg	St	Max. Occ.			
30	UNS	M	1	Section control		
To separate header, detail and summary sections of a message.						
Notes:						
1. To be used by message designers when required to avoid ambiguities. Mandatory only if specified for the type of message concerned.						
Business Term	DE	EDIFACT	Format	St	*	Description
	0081	Section identification	a1	M	*	S Detail/summary section separation
This segment is used to identify the break between the message detail and message trailer sections.						
Example:						
Example: UNS+S'						
Example: UNS+S'						

Max. Occ. = Maximum Occurrence, St = Status, * = Restricted Codes
 Status: M=Mandatory, R=Required, O=Optional, C=Conditional, D=Dependent, A=Advised, N=Not used

Segment Layout

No. Seg	St	Max. Occ.				
SG12	C	99	MOA-TAX-DTM			
A group of segments specifying the total amounts, tax information, and any pertinent dates for the complete commercial account summary						
31	MOA	M	1	Monetary amount		
To specify a monetary amount.						
Business Term	DE	EDIFACT	Format	St	*	Description
	C516	Monetary amount		M		
	5025	Monetary amount type code qualifier	an..3	M		9 Amount due/amount payable 12 Amount remitted 176 Message total duty/tax/fee amount 263 Outstanding amount 124 Tax amount 125 Taxable amount
	5004	Monetary amount	n..35	R		
This segment is used to indicate total values for the complete message and/or the breakdown of tax values for each rate of tax detailed in the following TAX segment. Example: Example: MOA+9:9' Example: MOA+9:2100'						

Max. Occ. = Maximum Occurrence, St = Status, * = Restricted Codes
 Status: M=Mandatory, R=Required, O=Optional, C=Conditional, D=Dependent, A=Advised, N=Not used

Segment Layout

No. Seg	St	Max. Occ.				
SG12	C	99	MOA-TAX-DTM			
A group of segments specifying the total amounts, tax information, and any pertinent dates for the complete commercial account summary						
32	TAX	C	9	Duty/tax/fee details		
To specify relevant duty/tax/fee information.						
Business Term	DE	EDIFACT	Format	St	*	Description
	5283	Duty or tax or fee function code qualifier	an..3	M		5 Customs duty 7 Tax
	C241	Duty/tax/fee type		D		
	5153	Duty or tax or fee type name code	an..3	O		GST Goods and services tax VAT Value added tax
	1131	Code list identification code	an..17	O		
	3055	Code list responsible agency code	an..3	D		
	5152	Duty or tax or fee type name	an..35	O		
	C533	Duty/tax/fee account detail		O		
	5289	Duty or tax or fee account code	an..6	M		
	1131	Code list identification code	an..17	O		
	3055	Code list responsible agency code	an..3	D		
	5286	Duty or tax or fee assessment basis value	an..15	O		
	C243	Duty/tax/fee detail		A		
	5279	Duty or tax or fee rate code	an..7	O		
	1131	Code list identification code	an..17	O		
	3055	Code list responsible agency code	an..3	D		
	5278	Duty or tax or fee rate	an..17	R		The actual rate of tax/duty.
	5273	Duty or tax or fee rate basis code	an..12	O		
	1131	Code list identification code	an..17	O		
	3055	Code list responsible agency code	an..3	D		
	5305	Duty or tax or fee category code	an..3	D		A Mixed tax rate E Exempt from tax S Standard rate
	3446	Party tax identifier	an..20	O		
This segment is used to specify the type and rate of tax or duty applicable to the amount specified in the previous MOA segment.						

Max. Occ. = Maximum Occurrence, St = Status, * = Restricted Codes

Status: M=Mandatory, R=Required, O=Optional, C=Conditional, D=Dependent, A=Advised, N=Not used

Segment Layout

Dependency Notes:

DE C241, and 5305: Tax types and categories will vary from country to country. They should be defined by national guidelines.

Example:

Example: TAX+5+GST:23:2:X+X:23:2+X+X:23:2:X:1:23:2+A+X'

Example: TAX+7+VAT+++:::21+S'

Segment Layout

No. Seg	St	Max. Occ.				
SG12	C	99	MOA-TAX-DTM			
A group of segments specifying the total amounts, tax information, and any pertinent dates for the complete commercial account summary						
33	DTM	C	9	Date/time/period		
To specify date, and/or time, or period.						
Business Term	DE	EDIFACT	Format	St	*	Description
	C507	Date/time/period		M		
	2005	Date or time or period function code qualifier	an..3	M		138 Payment date 140 Payment due date 315 Agreement to pay date
	2380	Date or time or period value	an..35	R		
	2379	Date or time or period format code	an..3	R		102 CCYYMMDD 718 CCYYMMDD- CCYYMMDD 803 Week 804 Day
<p>This segment is used to specify any dates associated with the monetary amounts specified in the previous MOA segment.</p> <p>Example: Payment is due in 30 days.</p> <p>Example: DTM+138:X:102' Example: DTM+140:30:804'</p>						

Max. Occ. = Maximum Occurrence, St = Status, * = Restricted Codes

Status: M=Mandatory, R=Required, O=Optional, C=Conditional, D=Dependent, A=Advised, N=Not used

Segment Layout

No. Seg	St	Max. Occ.				
34	CNT	C 1	Control total To provide control total.			
Business Term	DE	EDIFACT	Format	St	*	Description
	C270	Control		M		
	6069	Control total type code qualifier	an..3	M	*	31 Number of messages
	6066	Control total value	n..18	M		
<p>This segment is used to indicate controls. Example: Example: CNT+31:12' Example: CNT+31:12'</p>						

Max. Occ. = Maximum Occurrence, St = Status, * = Restricted Codes
 Status: M=Mandatory, R=Required, O=Optional, C=Conditional, D=Dependent, A=Advised, N=Not used

Segment Layout

No. Seg	St	Max. Occ.				
35	UNT	M 1	Message trailer To end and check the completeness of a message.			
Business Term	DE	EDIFACT	Format	St	*	Description
	0074	Number of segments in the message	n..6	M		The total number of segments in the message is specified here.
	0062	Message reference number	an..14	M		The message reference numbered detailed here should equal the one specified in the UNH segment.
<p>This segment is a mandatory UN/EDIFACT segment. It must always be the last segment in the message. Example: Example: UNT+33+X' Example: UNT+33+ME000001'</p>						

Max. Occ. = Maximum Occurrence, St = Status, * = Restricted Codes

Status: M=Mandatory, R=Required, O=Optional, C=Conditional, D=Dependent, A=Advised, N=Not used

Segment Layout

No. Seg	St	Max. Occ.				
36	UNZ	M 1	Interchange trailer To end and check the completeness of an interchange.			
Business Term	DE	EDIFACT	Format	St	*	Description
	0036	Interchange control count	n..6	M		Number of messages or functional groups within an interchange.
	0020	Interchange control reference	an..14	M		Identical to DE 0020 in UNB segment.
<p>This segment is used to provide the trailer of an interchange. DE 0036: If functional groups are used, this is the number of functional groups within the interchange. If functional groups are not used, this is the number of messages within the interchange.</p> <p>Example: UNZ+1+12345555 ' Example: UNZ+5+12345555 '</p>						

Max. Occ. = Maximum Occurrence, St = Status, * = Restricted Codes

Status: M=Mandatory, R=Required, O=Optional, C=Conditional, D=Dependent, A=Advised, N=Not used

Used Codes

0001	<p>Syntax identifier Coded identification of the agency controlling a syntax and syntax level used in an interchange.</p> <p>Notes: 1. a3, upper case, Controlling Agency (e.g. UNO=UN/ECE) and a1 stating level (e.g. A) (which together give UNOA).</p>
UNOA	<p>UN/ECE level A As defined in the basic code table of ISO 646 with the exceptions of lower case letters, alternative graphic character allocations and national or application-oriented graphic character allocations.</p>
UNOB	<p>UN/ECE level B As defined in the basic code table of ISO 646 with the exceptions of alternative graphic character allocations and national or application-oriented graphic character allocations.</p>
UNOC	<p>UN/ECE level C As defined in ISO/IEC 8859-1 : Information technology - Part 1: Latin alphabet No. 1.</p>
UNOD	<p>UN/ECE level D As defined in ISO/IEC 8859-2 : Information technology - Part 2: Latin alphabet No. 2.</p>
UNOE	<p>UN/ECE level E As defined in ISO/IEC 8859-5 : Information technology - Part 5: Latin/Cyrillic alphabet.</p>
UNOF	<p>UN/ECE level F As defined in ISO 8859-7 : Information processing - Part 7: Latin/Greek alphabet.</p>
0002	<p>Syntax version number Version number of the syntax identified in the syntax identifier (0001)</p> <p>Notes: 1. Increments 1 for each version.</p>
3	<p>Version 3 ISO 9735 Amendment 1:1992. GS1 Description: Syntax version number 3. This code can be used with all of the character sets (A, B, C, D, E and F).</p>

Used Codes

0007	Partner identification code qualifier Qualifier referring to the source of codes for the identifiers of interchanging partners.
	Notes: 1. Used with sender/recipient identification code.
14	GS1 Partner identification code assigned by GS1, an international organization of GS1 Member Organizations that manages the GS1 System.
0025	Recipient's reference/password qualifier Qualifier for the recipient's reference or password.
	Notes: 1. If specified in IA.
AA	Reference Recipient's reference/password is a reference.
BB	Password Recipient's reference/password is a password.
0029	Processing priority code Code determined by the sender requesting processing priority for the interchange.
	Notes: 1. Used if specified in IA.
A	Highest priority Requested processing priority is the highest.
0031	Acknowledgement request Code determined by the sender for acknowledgement of the interchange.
	Notes: 1. Set = 1 if sender requests acknowledgement, i.e. UNB and UNZ segments received and identified.
1	Requested Acknowledgement is requested.
0035	Test indicator Indication that the interchange is a test.
	Notes: 1. Set = 1 if the interchange is a test. Otherwise not used.

Used Codes

1	Interchange is a test Indicates that the interchange is a test.
5	Interchange is a service provider test Indicates that this interchange is a test with a service provider.
0051	Controlling agency Code to identify the agency controlling the specification, maintenance and publication of the message type.
UN	UN/CEFACT United Nations Centre for Trade Facilitation and Electronic Business (UN/CEFACT). GS1 Description: UN Economic Commission for Europe (UN/ECE), Committee on the development of trade (TRADE), Working Party on facilitation of international trade procedures (WP.4).
0052	Message version number Version number of a message type. Notes: 1. If UNG/UNE is used, shall be identical in UNG and UNE. The representation of 0052 was specified as n..3 in version 1 of ISO 9735.
D	Draft version/UN/EDIFACT Directory Message approved and issued as a draft message (Valid for directories published after March 1993 and prior to March 1997). Message approved as a standard message (Valid for directories published after March 1997).
0054	Message release number Release number within the current message type version number (0052). Notes: 1. The representation of 0054 was specified as n..3 in version 1 of ISO 9735.
01B	Release 2001 - B Message approved and issued in the second 2001 release of the UNTDID (United Nations Trade Data Interchange Directory).
0057	Association assigned code A code assigned by the association responsible for the design and maintenance of the message type concerned, which further identifies the message.
EAN004	GS1 version control number (GS1 Permanent Code) Indicates that the message is an EANCOM message in version 004.

Used Codes

0065	<p>Message type Code identifying a type of message and assigned by its controlling agency.</p> <p>Notes: 1. Type of message being transmitted.</p>
COACSU	<p>Commercial account summary message A code to identify the commercial account summary message. GS1 Description: A commercial account summary message enables the transmission of commercial data concerning payments made and outstanding items on an account over a period of time. The message may be sent at specific agreed fixed intervals or on demand, and may be sent to and, or, from trading parties, and, or their authorised agents.</p>
0081	<p>Section identification Separates sections in a message.</p>
S	<p>Detail/summary section separation To qualify the segment UNS, when separating the detail from the summary section of a message.</p>
1001	<p>Document name code Code specifying the document name.</p>
1	<p>Certificate of analysis Certificate providing the values of an analysis.</p>
2	<p>Certificate of conformity Certificate certifying the conformity to predefined definitions.</p>
3	<p>Certificate of quality Certificate certifying the quality of goods, services etc.</p>
4	<p>Test report Report providing the results of a test session.</p>
9	<p>Price/sales catalogue A document/message to enable the transmission of information regarding pricing and catalogue details for goods and services offered by a seller to a buyer.</p>
10	<p>Party information Document/message providing basic data concerning a party.</p>
35	<p>Inventory report A message specifying information relating to held inventories.</p>
44	<p>Transport status report A message to report the transport status and/or change in the transport status (i.e. event) between agreed parties.</p>

Used Codes

46	Banking status A banking status document and/or message.
51	Price/sales catalogue response A document providing a response to a previously sent price/sales catalogue.
54	Legal statement of an account A statement of an account containing the booked items as in the ledger of the account servicing financial institution.
55	Listing statement of an account A statement from the account servicing financial institution containing items pending to be booked.
56	Closing statement of an account Last statement of a period containing the interest calculation and the final balance of the last entry date.
67	Commercial dispute Document/message issued by a party (usually the buyer) to indicate that one or more invoices or one or more credit notes are disputed for payment.
77	Consignment status report Message covers information about the consignment status.
78	Inventory movement advice Advice of inventory movements.
82	Metered services invoice Document/message claiming payment for the supply of metered services (e.g., gas, electricity, etc.) supplied to a fixed meter whose consumption is measured over a period of time.
83	Credit note related to financial adjustments Document message for providing credit information related to financial adjustments to the relevant party, e.g., bonuses.
84	Debit note related to financial adjustments Document/message for providing debit information related to financial adjustments to the relevant party.
105	Purchase order Document/message issued within an enterprise to initiate the purchase of articles, materials or services required for the production or manufacture of goods to be offered for sale or otherwise supplied to customers.
130	Invoicing data sheet Document/message issued within an enterprise containing data about goods sold, to be used as the basis for the preparation of an invoice.
141	Advising items to be booked to a financial account A document and/or message advising of items which have to be booked to a financial account.

Used Codes

172	<p>Authorisation to plan and suggest orders</p> <p>Document or message that authorises receiver to plan orders, based on information in this message, and send these orders as suggestions to the sender.</p>
173	<p>Authorisation to plan and ship orders</p> <p>Document or message that authorises receiver to plan and ship orders based on information in this message.</p>
174	<p>Drawing</p> <p>The document or message is a drawing.</p> <p>GS1 Description: A message used for the administration of the exchange of external objects.</p>
182	<p>Balance confirmation</p> <p>Confirmation of a balance at an entry date.</p>
213	<p>Request for financial cancellation</p> <p>The message is a request for financial cancellation.</p>
214	<p>Pre-authorized direct debit(s)</p> <p>The message contains pre-authorized direct debit(s).</p>
220	<p>Order</p> <p>Document/message by means of which a buyer initiates a transaction with a seller involving the supply of goods or services as specified, according to conditions set out in an offer, or otherwise known to the buyer.</p>
221	<p>Blanket order</p> <p>Usage of document/message for general order purposes with later split into quantities and delivery dates and maybe delivery locations.</p>
223	<p>Lease order</p> <p>Document/message for goods in leasing contracts.</p>
224	<p>Rush order</p> <p>Document/message for urgent ordering.</p>
225	<p>Repair order</p> <p>Document/message to order repair of goods.</p>
226	<p>Call off order</p> <p>Document/message to provide split quantities and delivery dates referring to a previous blanket order.</p>
227	<p>Consignment order</p> <p>Order to deliver goods into stock with agreement on payment when goods are sold out of this stock.</p>
230	<p>Purchase order change request</p> <p>Change to an purchase order already sent.</p>
231	<p>Purchase order response</p> <p>Response to an purchase order already received.</p>

Used Codes

236	<p>Delivery forecast</p> <p>A message which enables the transmission of delivery or product forecasting requirements.</p>
237	<p>Cross docking services order</p> <p>A document or message to order cross docking services.</p> <p>GS1 Description: An order requesting cross docking services for goods to be delivered to a retailer.</p>
238	<p>Non-pre-authorized direct debit(s)</p> <p>The message contains non-pre-authorized direct debit(s).</p>
240	<p>Delivery instructions</p> <p>Document/message issued by a buyer giving instructions regarding the details of the delivery of goods ordered.</p> <p>GS1 Description: A message from a party to another party who has control over ordered goods, providing instructions to despatch a consignment according to conditions specified in the message.</p>
241	<p>Delivery schedule</p> <p>Usage of DELFOR-message.</p> <p>GS1 Description: A message which enables the transmission of delivery scheduling or product forecasting requirements.</p>
243	<p>Pre-authorized direct debit request(s)</p> <p>The message contains pre-authorized direct debit request(s).</p>
244	<p>Non-pre-authorized direct debit request(s)</p> <p>The message contains non-pre-authorized direct debit request(s).</p>
251	<p>Inquiry</p> <p>This is a request for information.</p> <p>GS1 Description: A message enabling the sender to inquire on a product or a group of products from a master product catalogue or file according to criteria defined in the message.</p>
252	<p>Response to previous banking status message</p> <p>A response to a previously sent banking status message.</p>
258	<p>Standing order</p> <p>An order to supply fixed quantities of products at fixed regular intervals.</p>
261	<p>Self billed credit note</p> <p>A document which indicates that the customer is claiming credit in a self billing environment.</p>
262	<p>Consolidated credit note - goods and services</p> <p>Credit note for goods and services that covers multiple transactions involving more than one invoice.</p>

Used Codes

263	Inventory adjustment status report A message detailing statuses related to the adjustment of inventory.
270	Delivery note Paper document attached to a consignment informing the receiving party about contents of this consignment.
289	Product data message A message to submit master data, a set of data that is rarely changed, to identify and describe products a supplier offers to their (potential) customer or buyer. GS1 Description: A message between parties containing master data, to identify and describe products available for supply or for information purposes. This information of long validity does not include commercial terms and conditions but technical and functional product descriptions.
291	Delivery schedule response A message providing a response to a previously transmitted delivery schedule.
297	Instruction to collect A message instructing a party to collect goods.
305	Application error and acknowledgement A message to inform a message issuer that a previously sent message has been received by the addressee's application, or that a previously sent message has been rejected by the addressee's application.
308	Delcredere credit note A credit note sent to the party paying on behalf of a number of buyers.
310	Offer/quotation Document/message which , with a view to concluding a contract, sets out the conditions under which the goods are offered.
311	Request for quote Document/message requesting a quote on specified goods or services.
315	Contract Document/message evidencing an agreement between the seller and the buyer for the supply of goods or services; its effects are equivalent to those of an order followed by an acknowledgement of order.
325	Proforma invoice Document/message serving as a preliminary invoice, containing - on the whole - the same information as the final invoice, but not actually claiming payment.
335	Booking request Document/message issued by a supplier to a carrier requesting space to be reserved for a specified consignment, indicating desirable conveyance, despatch time, etc.
338	Items booked to a financial account report A message reporting items which have been booked to a financial account.

Used Codes

340	Shipping instructions Document/message advising details of cargo and exporter's requirements for its physical movement.
341	Shipper's letter of instructions (air) Document/message issued by a consignor in which he gives details of a consignment of goods that enables an airline or its agent to prepare an air waybill.
342	Report of transactions for information only A message reporting transactions for information only.
345	Ready for despatch advice Document/message issued by a supplier informing a buyer that goods ordered are ready for despatch.
347	Order status enquiry A message enquiring the status of previously sent orders.
348	Order status report A message reporting the status of previously sent orders.
350	Despatch order Document/message issued by a supplier initiating the despatch of goods to a buyer (consignee).
351	Despatch advice Document/message by means of which the seller or consignor informs the consignee about the despatch of goods.
376	Standing inquiry on product information A product inquiry which stands until it is cancelled. GS1 Description: An initial download and any future changes made to the data within the standing request is automatically sent to the buyer as they occur, until the standing request is cancelled. Notes: A standing product inquiry implies that the supplier will send both a one-time download and notification of all future changes to the requested trade item until the standing request is deleted. A standing product inquiry can only be modified by deleting the original request and initiating a new request.
380	Commercial invoice Document/message claiming payment for goods or services supplied under conditions agreed between seller and buyer.
381	Credit note - goods and services Document/message for providing credit information to the relevant party.
382	Commission note Document/message in which a seller specifies the amount of commission, the percentage of the invoice amount, or some other basis for the calculation of the commission to which a sales agent is entitled.

Used Codes

383	Debit note - goods and services Document/message for providing debit information to the relevant party.
384	Corrected invoice Commercial invoice that includes revised information differing from an earlier submission of the same invoice.
385	Consolidated invoice Commercial invoice that covers multiple transactions involving more than one vendor. GS1 Description: Commercial invoice that covers multiple transactions involving more than one delivery.
386	Prepayment invoice An invoice to pay amounts for goods and services in advance; these amounts will be subtracted from the final invoice.
388	Tax invoice An invoice for tax purposes.
389	Self-billed invoice An invoice the invoicee is producing instead of the seller.
390	Delcredere invoice An invoice sent to the party paying for a number of buyers.
393	Factored invoice Invoice assigned to a third party for collection.
397	Commercial account summary response A document providing a response to a previously sent commercial account summary message.
400	Exceptional order An order which falls outside the framework of an agreement. GS1 Description: An order which falls outside the framework of an agreement or an order containing non-standard information.
401	Transshipment order An order requesting the supply of products packed according to the final delivery point which will be moved across a dock in a distribution centre without further handling.
402	Cross docking order An order requesting the supply of products which will be de-consolidated in the distribution centre and re-consolidated according to final delivery location.
447	Collection order Document/message whereby a bank is instructed (or requested) to handle financial and/or commercial documents in order to obtain acceptance and/or payment, or to deliver documents on such other terms and conditions as may be specified.

Used Codes

452	<p>Multiple payment order</p> <p>Document/message containing a payment order to debit one or more accounts and to credit one or more beneficiaries.</p>
481	<p>Remittance advice</p> <p>Document/message advising of the remittance of payment.</p>
493	<p>Statement of account message</p> <p>Usage of STATAC-message.</p>
527	<p>Self billed debit note</p> <p>A document which indicates that the customer is claiming debit in a self billing environment.</p>
610	<p>Forwarding instructions</p> <p>Document/message issued to a freight forwarder, giving instructions regarding the action to be taken by the forwarder for the forwarding of goods described therein.</p>
630	<p>Shipping note</p> <p>Document/message provided by the shipper or his agent to the carrier, multimodal transport operator, terminal or other receiving authority, giving information about export consignments offered for transport, and providing for the necessary receipts and declarations of liability. (Sometimes a multipurpose cargo handling document also fulfilling the functions of document 632, 633, 650 and 655).</p> <p>GS1 Description:</p> <p>Document/message provided by the shipper or his agent to the carrier, multimodal transport operator, terminal or other receiving authority, giving information about export consignments offered for transport, and providing for the necessary receipts and declarations of liability.</p>
632	<p>Goods receipt</p> <p>Document/message to acknowledge the receipt of goods and in addition may indicate receiving conditions.</p> <p>GS1 Description:</p> <p>Message addressing the business needs related to the goods receipt or advising discrepancies between despatched or ordered/planned goods.</p>
700	<p>Waybill</p> <p>Non-negotiable document evidencing the contract for the transport of cargo.</p>
701	<p>Universal (multipurpose) transport document</p> <p>Document/message evidencing a contract of carriage covering the movement of goods by any mode of transport, or combination of modes, for national as well as international transport, under any applicable international convention or national law and under the conditions of carriage of any carrier or transport operator undertaking or arranging the transport referred to in the document.</p>

Used Codes

705	<p>Bill of lading</p> <p>Negotiable document/message which evidences a contract of carriage by sea and the taking over or loading of goods by carrier, and by which carrier undertakes to deliver goods against surrender of the document. A provision in the document that goods are to be delivered to the order of a named person, or to order, or to bearer, constitutes such an undertaking.</p>
706	<p>Bill of lading original</p> <p>The original of the bill of lading issued by a transport company. When issued by the maritime industry it could signify ownership of the cargo.</p>
707	<p>Bill of lading copy</p> <p>A copy of the bill of lading issued by a transport company.</p>
719	<p>General message</p> <p>Document/message providing agreed textual information. GS1 Note: Replaces GS1 Temporary Code 14E.</p>
720	<p>Rail consignment note (generic term)</p> <p>Transport document constituting a contract for the carriage of goods between the sender and the carrier (the railway). For international rail traffic, this document must conform to the model prescribed by the international conventions concerning carriage of goods by rail, e.g. CIM Convention, SMGS Convention.</p>
721	<p>Product data response</p> <p>Document/message responding to a previously received Product Data document/message. GS1 Note: Replaces GS1 Temporary Code 1E.</p>
725	<p>Manufacturer raised order</p> <p>Document/message providing details of an order which has been raised by a manufacturer. GS1 Note: Replaces GS1 Temporary Code 22E.</p>
726	<p>Manufacturer raised consignment order</p> <p>Document/message providing details of a consignment order which has been raised by a manufacturer. GS1 Note: Replaces GS1 Temporary Code 23E.</p>
727	<p>Price/sales catalogue not containing commercial information</p> <p>A price/sales catalogue message containing no commercial such as prices, terms or conditions data. GS1 Note: Replaces GS1 Temporary Code 24E.</p>
728	<p>Price/sales catalogue containing commercial information</p> <p>A price/sales catalogue message including commercial such as prices, terms or conditions data. GS1 Note: Replaces GS1 Temporary Code 25E.</p>
729	<p>Returns advice</p> <p>Document/message by means of which the buyer informs the seller about the despatch of returned goods. GS1 Note: Replaces GS1 Temporary Code 35E.</p>

Used Codes

730	<p>Road consignment note</p> <p>Transport document/message which evidences a contract between a carrier and a sender for the carriage of goods by road (generic term). Remark: For international road traffic, this document must contain at least the particulars prescribed by the convention on the contract for the international carriage of goods by road (CMR).</p>
731	<p>Commercial account summary</p> <p>A message enabling the transmission of commercial data concerning payments made and outstanding items on an account over a period of time. GS1 Note: Replaces GS1 Temporary Code 49E.</p>
732	<p>Announcement for returns</p> <p>A message by which a party announces to another party details of goods for return due to specified reasons (e.g. returns for repair, returns because of damage, etc). GS1 Note: Replaces GS1 Temporary Code 70E.</p>
733	<p>Instruction for returns</p> <p>A message by which a party informs another party whether and how goods shall be returned. GS1 Note: Replaces GS1 Temporary Code 71E.</p>
734	<p>Sales forecast report</p> <p>A message enabling companies to exchange or report electronically, basic sales forecast data related to products or services, including the corresponding location, time period, product identification, pricing and quantity information. It enables the recip. GS1 Note: Replaces GS1 Temporary Code 72E.</p>
735	<p>Sales data report</p> <p>A message enabling companies to exchange or report electronically, basic sales data related to products or services, including the corresponding location, time period, product identification, pricing and quantity information. It enables the recipient to process the information automatically and use it for production, marketing or statistical purposes. GS1 Note: Replaces GS1 Temporary Code 73E.</p>
736	<p>Standing inquiry on complete product information</p> <p>A product inquiry which stands until it is cancelled. It requests not only the updates since last time, but always the complete product information of a data supplier. This means that within the standing request every time a complete download of the respective data is automatically sent to the data inquirer.</p>
737	<p>Proof of delivery</p> <p>A message by which a consignee provides for a carrier proof of delivery of a consignment.</p>
738	<p>Cargo/goods handling and movement message</p> <p>A message from a party to a warehouse, distribution centre, or logistics service provider identifying the handling services and where required the movement of specified goods, limited to warehouses within the jurisdiction of the distribution centre or logistics service provider. GS1 Note: Replaces GS1 Temporary Code 90E.</p>

Used Codes

739	<p>Metered services consumption report supporting an invoice Document/message providing metered consumption details supporting an invoice. GS1 Note: Replaces GS1 Temporary Code 94E.</p>
740	<p>Air waybill Document/message made out by or on behalf of the shipper which evidences the contract between the shipper and carrier(s) for carriage of goods over routes of the carrier(s) and which is identified by the airline prefix issuing the document plus a serial (IATA).</p>
742	<p>Metered services consumption report Document/message providing metered consumption details. GS1 Note: Replaces GS1 Temporary Code 99E.</p>
747	<p>Payroll deductions advice A message sent by a party (usually an employer or its representative) to a service providing organisation, to detail payroll deductions paid on behalf of its employees to the service providing organisation. GS1 Note: Replaces GS1 Temporary Code YA3.</p>
748	<p>Consignment despatch advice Document/message by means of which the supplier informs the buyer about the despatch of goods ordered on consignment (goods to be delivered into stock with agreement on payment when goods are sold out of this stock). GS1 Note: Replaces GS1 Temporary Code YA7.</p>
763	<p>Forwarder's certificate of transport Negotiable document/message issued by a forwarder to certify that he has taken charge of a specified consignment for despatch and delivery in accordance with the consignor's instructions, as indicated in the document, and that he accepts responsibility for delivery of the goods to the holder of the document through the intermediary of a delivery agent of his choice. E.g. FIATA-FCT.</p>
770	<p>Booking confirmation Document/message issued by a carrier to confirm that space has been reserved for a consignment in means of transport.</p>
781	<p>Arrival notice (goods) Notification from the carrier to the consignee in writing, by telephone or by any other means (express letter, message, telegram, etc.) informing him that a consignment addressed to him is being or will shortly be held at his disposal at a specified point in the place of destination.</p>
811	<p>Export licence Permit issued by a government authority permitting exportation of a specified commodity subject to specified conditions as quantity, country of destination, etc. Synonym: Embargo permit.</p>
821	<p>Despatch note model T1 Transit declaration for goods circulating under internal community transit procedures (between European Union (EU) countries).</p>

Used Codes

822	Despatch note model T2 Ascertainment that the declared goods were originally produced in an European Union (EU) country.
830	Goods declaration for exportation Document/message by which goods are declared for export Customs clearance, conforming to the layout key set out at Appendix I to Annex C.1 concerning outright exportation to the Kyoto convention (CCC). Within a Customs union, "for despatch" may have the same meaning as "for exportation".
852	Sanitary certificate Document/message issued by the competent authority in the exporting country evidencing that alimentary and animal products, including dead animals, are fit for human consumption, and giving details, when relevant, of controls undertaken.
861	Certificate of origin Document/message identifying goods, in which the authority or body authorized to issue it certifies expressly that the goods to which the certificate relates originate in a specific country. The word "country" may include a group of countries, a region or a part of a country. This certificate may also include a declaration by the manufacturer, producer, supplier, exporter or other competent person.
890	Dangerous goods declaration Document/message issued by a consignor in accordance with applicable conventions or regulations, describing hazardous goods or materials for transport purposes, and stating that the latter have been packed and labelled in accordance with the provisions of the relevant conventions or regulations.
898	Pre-packed cross docking consignment order A consignment order requesting the supply of products packed according to the final delivery point which will be moved across a dock in a distribution centre without further handling. GS1 Note: replaces YD1 (GS1 Temporary code)
910	Import licence, application for Document/message in which an interested party applies to the competent body for authorization to import either a limited quantity of articles subject to import restrictions, or an unlimited quantity of such articles during a limited period, and specifies the kind of articles, their origin and value, etc.
911	Import licence Document/message issued by the competent body in accordance with import regulations in force, by which authorization is granted to a named party to import either a limited quantity of designated articles or an unlimited quantity of such articles during a limited period, under conditions specified in the document.
938	Tax declaration (general) Document/message containing a general tax declaration.

Used Codes

951	<p>TIF forms</p> <p>International Customs transit document by which the sender declares goods for carriage by rail in accordance with the provisions of the 1952 International Convention to facilitate the crossing of frontiers for goods carried by rail (TIF Convention of UIC).</p>
952	<p>TIR Carnet</p> <p>International Customs document (International Transit by Road), issued by a guaranteeing association approved by the Customs authorities, under the cover of which goods are carried, in most cases under Customs seal, in road vehicles and/or containers in compliance with the requirements of the Customs TIR Convention of the International Transport of Goods under cover of TIR Carnets (UN/ECE).</p>
954	<p>EUR 1 certificate of origin</p> <p>Undefined Section</p> <p>Customs certificate used in preferential goods interchanges between EC countries and EC external countries.</p>
991	<p>Government contract</p> <p>Document/message describing a contract with a government authority.</p>
14E	<p>General message (GS1 Temporary Code)</p> <p>Document/message providing agreed textual information.</p> <p>GS1 Note: Code marked for deletion. Use value 719 instead.</p>
1E	<p>Product data response (GS1 Temporary Code)</p> <p>A message responding to a previously received Product Data message.</p> <p>GS1 Note: Code marked for deletion. Use value 721 instead.</p>
22B	<p>Order for retained approval copies (GS1 Temporary Code)</p> <p>Description to be provided.</p> <p>GS1 Note: Code marked for deletion.</p>
22E	<p>Manufacturer raised order (GS1 Temporary Code)</p> <p>Document/message providing details of an order which has been raised by a manufacturer.</p> <p>GS1 Note: Code marked for deletion. Use value 725 instead.</p>
23E	<p>Manufacturer raised consignment order (GS1 Temporary Code)</p> <p>Document/message providing details of a consignment order which has been raised by a manufacturer.</p> <p>GS1 Note: Code marked for deletion. Use value 726 instead.</p>
24E	<p>Price/sales catalogue not containing pricing information (GS1 Temporary Code)</p> <p>A price/sales catalogue message containing no commercial terms or conditions data.</p> <p>GS1 Note: Code marked for deletion. Use value 727 instead.</p>
25E	<p>Price/sales catalogue containing pricing information (GS1 Temporary Code)</p> <p>A price/sales catalogue message containing only commercial terms or conditions data.</p> <p>GS1 Note: Code marked for deletion. Use value 728 instead.</p>

Used Codes

26E	<p>Consignment issue (GS1 Permanent Code)</p> <p>Document/message providing details of a consignment issue which has been raised by a buyer.</p>
27E	<p>Release Order (GS1 Permanent Code)</p> <p>Document/message providing ability for buyer to send out a "Release Order" according to a blanket order previously sent through.</p>
2E	<p>Data distribution profile (GS1 Temporary Code)</p> <p>Message containing instructions on the distribution of data stored in a database.</p>
31B	<p>Quote used for bookseller's new title notices (GS1 Temporary Code)</p> <p>A quotation raised by a bookseller as a way of informing prospective buyers of new titles.</p>
35E	<p>Returns advice (GS1 Temporary Code)</p> <p>Document/message by means of which the buyer informs the seller about the despatch or impending despatch of returned goods. GS1 Note: Code marked for deletion. Use value 729 instead.</p>
49E	<p>Commercial account summary (GS1 Temporary Code)</p> <p>A message enabling the transmission of commercial data concerning payments made and outstanding items on an account over a period of time. GS1 Note: Code marked for deletion. Use value 731 instead.</p>
70E	<p>Announcement for returns (GS1 Temporary Code)</p> <p>A message by which a party announces to another party details of goods for return due to specified reasons (e.g. returns for repair, returns because of damage, etc). GS1 Note: Code marked for deletion. Use value 732 instead.</p>
71E	<p>Instruction for returns (GS1 Temporary Code)</p> <p>A message by which a party informs another party whether and how goods shall be returned. GS1 Note: Code marked for deletion. Use value 733 instead.</p>
72E	<p>Sales forecast report (GS1 Temporary Code)</p> <p>A message enabling companies to exchange or report electronically, basic sales forecast data related to products or services, including the corresponding location, time period, product identification, pricing and quantity information. It enables the recipient to process the information automatically and use it for production, planning, marketing or statistical purposes. GS1 Note: Code marked for deletion. Use value 734 instead.</p>
73E	<p>Sales data report (GS1 Temporary Code)</p> <p>A message enabling companies to exchange or report electronically, basic sales data related to products or services, including the corresponding location, time period, product identification, pricing and quantity information. It enables the recipient to process the information automatically and use it for production, marketing or statistical purposes. GS1 Note: Code marked for deletion. Use value 735 instead.</p>

Used Codes

76C	<p>Standing inquiry on complete product information (GS1 Temporary Code)</p> <p>A product inquiry which stands until it is cancelled. It requests not only the updates since last time, but always the complete product information of a data supplier. This means that within the standing request every time a complete download of the respective data is automatically sent to the datainquirer.</p> <p>GS1 Note: Code marked for deletion. Use value 736 instead.</p>
78E	<p>Proof of delivery (GS1 Temporary Code)</p> <p>A message by which a consignee provides for a carrier proof of delivery of a consignment.</p> <p>GS1 Note: Code marked for deletion. Use value 737 instead.</p>
90E	<p>Cargo/goods handling and movement message (GS1 Temporary Code)</p> <p>A message from a party to a warehouse, distribution centre, or logistics service provider identifying the handling services and where required the movement of specified goods, limited to warehouses within the jurisdiction of the distribution centre or logistics service provider.</p> <p>GS1 Note: Code marked for deletion. Use value 738 instead.</p>
94E	<p>Metered services consumption report invoice support (GS1 Temporary Code)</p> <p>A Metered Services Consumption Report is a communication between trading parties, or their agents, providing consumption and where required associated technical information at a location(s) for a product(s) or service(s) where the supply is recorded using a meter(s) to support information contained in commercial invoices.</p> <p>GS1 Note: Code marked for deletion. Use value 739 instead.</p>
99E	<p>Metered services consumption report (GS1 Temporary Code)</p> <p>A Metered Services Consumption Report is a communication between trading parties, or their agents, providing consumption and where required associated technical information at a location(s) for a product(s) or service(s) where the supply is recorded using a meter(s).</p> <p>GS1 Note: Code marked for deletion. Use value 742 instead.</p>
YA3	<p>Payroll deductions advice (GS1 Temporary Code)</p> <p>A message sent by a party (usually an employer or its representative) to a service providing organisation, to detail payroll deductions paid on behalf of its employees to the service providing organisation.</p> <p>GS1 Note: Code marked for deletion. Use value 747 instead.</p>
YA5	<p>Intermediate handling cross docking despatch advice (GS1 Temporary Code)</p> <p>Document by means of which the supplier or consignor informs the buyer, consignee or the distribution centre about the despatch of goods needing intermediate handling.</p>
YA6	<p>Pre-packed cross docking [transshipment] despatch advice (GS1 Temporary Code)</p> <p>Document by means of which the supplier or consignor informs the buyer, consignee or distribution centre about the despatch of pre-packed goods.</p>

Used Codes

YA7	<p>Consignment despatch advice (GS1 Temporary Code)</p> <p>Document/message by means of which the supplier informs the buyer about the despatch of goods ordered on consignment (goods to be delivered into stock with agreement on payment when goods are sold out of this stock). GS1 Note: Code marked for deletion. Use value 748 instead.</p>
YB3	<p>Ready for transshipment despatch advice (GS1 Temporary Code)</p> <p>Document/message by means of which the supplier or consignor informs the buyer, consignee or the distribution center that the goods ordered are ready for transshipment.</p>
YB4	<p>Media campaign document (GS1 Temporary Code)</p> <p>Document providing the details of a media campaign</p>
YB5	<p>Product Marketing document, detailed (GS1 Temporary Code)</p> <p>Marketing document providing a detailed functional description of a product or goods/services.</p>
YB6	<p>Product Marketing document, concise (GS1 Temporary Code)</p> <p>Marketing document providing a concise functional description of a product or goods/services.</p>
YB7	<p>Self billed debit note correction (GS1 Temporary Code)</p> <p>Debit note message that includes revised information differing from an earlier submission of the same debit note in a self billing environment.</p>
YB8	<p>Debit note correction (GS1 Temporary Code)</p> <p>Debit note message that includes revised information differing from an earlier submission of the same debit note.</p>
YC1	<p>Consumer pickup order (GS1 Permanent Code)</p> <p>Consumer order with pickup at store.</p>
YC2	<p>Consumer home delivery order (GS1 Permanent Code)</p> <p>Consumer order with home delivery.</p>
YC3	<p>Consumer pickup delivery note (GS1 Permanent Code)</p> <p>Despatch advice for a consumer order with pickup at store.</p>
YC4	<p>Consumer home delivery note (GS1 Permanent Code)</p> <p>Despatch advice for a consumer order with home delivery.</p>
YD1	<p>Pre-packed cross docking consignment order (GS1 Temporary Code)</p> <p>A consignment order requesting the supply of products packed according to the final delivery point which will be moved across a dock in a distribution centre without further handling. GS1 Note: Code marked for deletion. Use value 898 instead.</p>

Used Codes

1131	Code list identification code Code identifying a user or association maintained code list. Notes: 1. The codes for this data element are provided by the code list responsible agency defined in data element 3055.
23	Clearing house automated payment Self explanatory. Notes: This code value will be removed effective with directory D.04A. GS1 Description: Banking community' automated payment clearing system.
25	Bank identification Code for identification of banks. Notes: This code value will be removed effective with directory D.04A.
106	Incoterms 1980 (4110) Code to indicate applicable Incoterm (1980 edition) under which seller undertakes to deliver merchandise to buyer (ICC). Incoterms 1990: use 4053 only. Notes: This code value will be removed effective with directory D.04A.
132	Charge Identification of a type of charge. Notes: This code value will be removed effective with directory D.04A.
154	Bank branch sorting identification Identification of a specific branch of a bank. Notes: This code value will be removed effective with directory D.04A.
157	Clearing code Identification of the responsible bank/clearing house which has cleared or is ordered to do the clearing. Notes: This code value will be removed effective with directory D.04A.
166	Social security identification Code assigned by the authority competent to issue social security identification to identify a person. Notes: This code value will be removed effective with directory D.04A.

Used Codes

174	Citizen identification Self explanatory. Notes: This code value will be removed effective with directory D.04A. GS1 Description: Code issued by national authority competent to issue citizen identification to identify a person.
1E	Incoterms 1990 (GS1 Temporary Code) Incoterms 1990 as published by the International Chamber of Commerce (ICC).
2E	Incoterms 2000 (GS1 Temporary Code) Incoterms 2000 as published by the International Chamber of Commerce (ICC).
3E	Incoterms 2010 (GS1 Temporary Code) Incoterms 2010 as published by the International Chamber of Commerce (ICC).
ADR	Accord European au transport international dangereuses (GS1 Temporary Code) A European agreement concerning the international carriage of dangerous goods by road.
BR	Brand (GS1 Temporary Code) An identifying mark or label on the products of a particular company, or the kind or make of a commodity.
CA	Category (GS1 Temporary Code) A class or division in a scheme of classification.
CO	Colour (GS1 Temporary Code) Description of the colour required/available on the goods.
FL	Flavor (GS1 Temporary Code) The characteristic quality of goods.
HMT	Hazardous material standard text (GS1 Temporary Code) Code indicating agreed standard text on hazardous materials.
LOC	Location Code (GS1 Temporary Code) This is a code to indicate where the EAS tag is located on the Trade Item. Values include On outside of Trade Item, Concealed inside Trade Item, Integrated Inside Trade Item.
OAG	Organic Claim Agency (GS1 Temporary Code) A governing body that creates and maintain standards related to organic products.
OCO	Organic Trade Item Code (GS1 Temporary Code) Used to indicate the organic status of a trade item or of one or more of its components.

Used Codes

OUM	Ordering unit of measure (GS1 Temporary Code) The alternate Unit of Measure of how Trade Items are ordered by the Retailer under one Unit of Measure, but sold under another Unit of Measure.
SKB	SKRS recommendation (GS1 Temporary Code) SKRS recommendation for standard clothes hanger.
SRN	Service relation number (GS1 Temporary Code) A number used to identify a database entry which records recurring services, e.g., treatment of a patient in a hospital, usage by a member of a library facilities, etc.
ST	Style (GS1 Temporary Code) Specific or characteristic design in any goods.
SUM	Selling unit of measure (GS1 Temporary Code) Describes the measurement used for selling unit of the Trade Item to the end consumer.
SZ	Size (GS1 Temporary Code) Any of a series of graded classifications of measure into which goods are divided.
SZG	Size Group (GS1 Temporary Code) A description of the variable size that is necessary to uniquely specify the size of the item in conjunction with the nonpackaged size dimension.
TYP	Type Code (GS1 Temporary Code) This is a code to indicate the type of EAS tag located on the Trade Item. Values include Acousto-Magnetic, Electro-Magnetic, Ink or dye, Microwave, Radio Frequency.
X11	Diet Allergen (GS1 Temporary Code) Indication of which dietary or allergen marks that are on the package.
X12	Environment (GS1 Temporary Code) Indication of which environmental marks (e.g. recycling schemes) that are on trade item package.
X13	Ethical (GS1 Temporary Code) Indication of which ethical trading marks that are on the package.
X14	Free Form (GS1 Temporary Code) Indication of which free-from marks that are on the package.
X15	Expiration date (GS1 Temporary Code) Indicates the type of expiration date marked on the packaging.
X16	Nesting Direction (GS1 Temporary Code) Depicts the arrangement of two items that nest together specifically whether they nest against each other or on top of each other.
X17	Package Marks Hygienic (GS1 Temporary Code) Indication of which hygiene markings are present in the product package

Used Codes

X18	<p>Hazardous Components are Removable (GS1 Temporary Code)</p> <p>An indicator if any hazardous components contained within the trade item can easily be separated from the other materials to facilitate product recycling.</p>
X19	<p>Trade Item Has Refuse Obligations (GS1 Temporary Code)</p> <p>Indicates if there are special disposal obligations that apply to the trade item for example INTRASTAT.</p>
X20	<p>Trade Item Is Designed for Easy Disassembly (GS1 Temporary Code)</p> <p>Indicates that the trade item is designed for easy disassembly by recycling facilities using standard industry tools.</p>
X21	<p>Trade Item Is Rigid Plastic Packaging Container (GS1 Temporary Code)</p> <p>Indicates that a product is or is contained in a Rigid Plastic Packaging Container (RPPC) as defined by laws in the target market.</p>
X22	<p>Trade Item Is ROHS Compliant (GS1 Temporary Code)</p> <p>Indicates if the product is compliant with the European Union RoHS Directive.</p>
X23	<p>Trade Item Is Universal Waste (GS1 Temporary Code)</p> <p>Indicates if a product can be considered universal waste.</p>
X24	<p>Trade Item Is Consumer Upgradeable Or Maintainable (GS1 Temporary Code)</p> <p>Indicates if a product can be easily upgraded or have parts replaced by the consumer.</p>
X25	<p>Trade Item Contains Short Chain Chlorinated Paraffins (GS1 Temporary Code)</p> <p>Indicate if the trade item and/or its components contain paints, coatings, plastics or other materials containing short chain chlorinated paraffins (SCCPs).</p>
X26	<p>Trade Item Contains Pesticide (GS1 Temporary Code)</p> <p>Indicates if the trade item is advertised or labelled as a chemical or contains a chemical that is advertised or labelled to kill, repel or prevent the growth of any living organism.</p>
X27	<p>Trade Item Contains Propellant (GS1 Temporary Code)</p> <p>Indicates if a trade item contains a compressed gas or propellant.</p>
X28	<p>Trade Item Contains Polyvinyl Chloride (GS1 Temporary Code)</p> <p>Indicate if product contains Polyvinyl Chloride (PVC), a widely used thermoplastic polymer.</p>
X29	<p>Trade Item Chemical Is Not Intended For Human Consumption (GS1 Temporary Code)</p> <p>Indicates that the trade item is or contains a Liquid, Gel, Paste, Powder, or Flammable solid not intended for human consumption (ingested).</p>
X30	<p>ROHS Compliance Failure Material (GS1 Temporary Code)</p> <p>The material used in the trade item that does not comply with the ROHS Directives</p>

Used Codes

X31	<p>Packaging Terms And Condition (GS1 Temporary Code)</p> <p>Indicates if the packaging given in the described packaging configuration is a rented, exchangeable, against deposit or one way/not reusable.</p>
X32	<p>Warranty Effective Date Type (GS1 Temporary Code)</p> <p>The type of date associated with the warranty trade item usually expressed as an event date for the item for example date of purchase, date of manufacture or date of delivery.</p>
X33	<p>Warranty Type (GS1 Temporary Code)</p> <p>Type of warranty available for the part, e.g. labour, distance, extended service.</p>
X35	<p>Warranty Constraint (GS1 Temporary Code)</p> <p>Defines the relationship between different guarantee terms, e.g. "and", "or", "the stronger", "the weaker".</p>
X36	<p>Seasonal Availability End Date (GS1 Temporary Code)</p> <p>Indicates the end date of the trade item's seasonal availability.</p>
X37	<p>Seasonal Availability Start Date (GS1 Temporary Code)</p> <p>Indicates the start date of the trade item's seasonal availability.</p>
X38	<p>Season Calendar Year (GS1 Temporary Code)</p> <p>This element indicates the calendar year in which the trade item is seasonally available.</p>
X39	<p>Season Parameter (GS1 Temporary Code)</p> <p>Indication of the season, in which the trade item is available.</p>
X40	<p>Trade Item Automatic Power Down is Enabled (GS1 Temporary Code)</p> <p>An indicator whether a product is enabled with auto power down feature when shipped to the customer.</p>
X41	<p>Electrical Usage Agency Code (GS1 Temporary Code)</p> <p>The agency that regulates electrical usage for products within a target market.</p>
X42	<p>Nesting Type (GS1 Temporary Code)</p> <p>Depicts whether a nested item fits inside or over the other item in a nesting relationship.</p>
X43	<p>Display Dimension Type Code (GS1 Temporary Code)</p> <p>Depicts certain display scenarios used for measurement.</p>
X44	<p>Manufacturer Has Take Back Program (GS1 Temporary Code)</p> <p>Indicates if the manufacturer of the trade item offers any take back programs to consumers for the product to be reused, remanufactured or recycled by the manufacturer.</p>
X45	<p>Display Resolution (GS1 Temporary Code)</p> <p>The display resolution of a television or computer display.</p>
X46	<p>Orientation Preference Sequence (GS1 Temporary Code)</p> <p>Depicts the preferred sequence of orientation used to communicate the manufacturers relative preferences of orientation.</p>

Used Codes

X47	Orientation Type (GS1 Temporary Code) Depicts via code a display orientation for a trade item.
X48	Electrical Usage Trade Item Classification Code (GS1 Temporary Code) A classification code value from a product classification scheme provided to drive required information for electrical usage.
X49	Electrical Usage Trade Item Classification Name (GS1 Temporary Code) A classification name from a product classification scheme provided to drive required information for electrical usage.
X50	Electrical Usage SubClassification Code (GS1 Temporary Code) A sub-classification code value from a product classification scheme provided to drive required information for electrical usage.
X51	Electrical Usage SubClassification Name (GS1 Temporary Code) A sub-classification name provided to drive required information for electrical usage.
X52	Confirmation Status Code (GS1 Temporary Code) The CIC Confirmation Code must be of a type of code number that can be generated automatically by a computer system.
X53	Confirmation Status Code Description (GS1 Temporary Code) Provides the code description that matches up with the Code that can possibly be generated automatically by a computer system.
X54	Additional Confirmation Status Description (GS1 Temporary Code) Provides a way to communicate human entered information that may not be covered by the machine to machine codes and descriptions.
X55	Corrective Action (GS1 Temporary Code) Provides the corrective action code to fix the issue that caused the problem.
X56	Expected Corrective Information (GS1 Temporary Code) Provides the expected corrective information via a human entered information that may not be covered by the machine to machine codes.
X57	Electrical Usage Trade Item Classification Agency (GS1 Temporary Code) A classification agency or organisation whose product classification scheme is being provided to drive required information for electrical usage.
X58	ASFIS (GS1 Permanent Code) FAO alph-3 code list for fish species identification, commercial name & scientific name.
X59	FAO fishing areas (GS1 Permanent Code) FAO fishing areas codelist.
X60	FAO Fishing gear type (GS1 Permanent Code) FAO Fishing gear type codelist.
X61	EU fish quality (GS1 Permanent Code) EU fish quality grade code list (E, A, B, C).

Used Codes

X62	EU fish size (GS1 Permanent Code) EU fish standardized size code list (1, 2, 3, 4, 5 & One_Size).
X63	EU fish presentation (GS1 Permanent Code) EU fish presentation code list (3 or 5 char alpha code).
ZZZ	Mutually defined Self explanatory. Note : This code value will be removed effective with directory D.04A.
1153	Reference code qualifier Code qualifying a reference.
AAB	Proforma invoice number [1088] Reference number assigned by the seller to a Proforma Invoice.
AAC	Documentary credit number [1172] Reference number assigned by issuing bank to a Documentary credit.
AAF	Debit card number A reference number identifying a debit card.
AAG	Offer or quotation number Reference number assigned by issuing party to an offer.
AAJ	Delivery order number Reference number assigned by issuer to a delivery order.
AAK	Despatch advice number Reference number assigned by issuing party to a despatch advice.
AAL	Drawing number Reference number identifying a specific product drawing.
AAM	Waybill number Reference number assigned to a waybill, see: 1001 = 700.
AAN	Delivery schedule number Reference number assigned by buyer to a delivery schedule.
AAO	Consignee's shipment reference number [1362] Reference assigned by the consignee to a shipment.
AAQ	Unit load device (e.g. container) identification number [8260] Marks (letters and/or numbers) which identify a unit load device e.g. freight container.
AAS	Transport document number [1188] Reference assigned by the carrier or his agent to the transport document.
AAT	Master label number Identifies the master label number of any package type.

Used Codes

AAU	Despatch note number [1128] Reference number assigned by the seller to a Despatch Note.
ABD	Customs tariff number (7357) Code number of the goods in accordance with the tariff nomenclature system of classification in use where the Customs declaration is made.
ABE	Declarant's reference number Unique reference number assigned to a document or a message by the declarant for identification purposes.
ABO	Originator's reference A unique reference assigned by the originator.
ABP	Declarant's Customs identity number Reference to the party whose posted bond or security is being declared in order to accept responsibility for a goods declaration and the applicable duties and taxes.
ABQ	Importer reference number Reference number assigned by the importer to identify a particular shipment for his own purposes.
ABT	Customs declaration number [1426] Number, assigned or accepted by Customs, to identify a Goods declaration.
ACD	Additional reference number Reference number provided in addition to another given reference.
ACE	Related document number Reference number identifying a related document.
ACK	Bank reference Cross reference issued by financial institution.
ACL	Principal reference number A number that identifies the principal reference.
ACW	Reference number to previous message Reference number assigned to the message which was previously issued (e.g. in the case of a cancellation, the primary reference of the message to be cancelled will be quoted in this element).
ACX	Banker's acceptance Reference number for banker's acceptance issued by the accepting financial institution.
ADB	Matured certificate of deposit Reference number for certificate of deposit allocated by issuing financial institution.
ADC	Loan Reference number for loan allocated by lending financial institution.

Used Codes

ADD	Analysis number/test number Number given to a specific analysis or test operation.
ADE	Account number Identification number of an account.
AE	Authorization for expense (AFE) number A number that identifies an authorization for expense (AFE). GS1 Description: A number providing authorization for a party to incur an expense.
AEK	Payment order number A number that identifies a payment order.
AER	Project specification number Reference number identifying a project specification.
AES	Primary reference A number that identifies the primary reference.
AFO	Beneficiary's reference Reference of the beneficiary.
AFS	Beneficiary's bank reference Reference number of the beneficiary's bank.
AGA	Agreement to pay number A number that identifies an agreement to pay. GS1 Description: A reference number guaranteeing a payment.
AGB	Contract party reference number Reference number assigned to a party for a particular contract.
AGG	Dispute number Reference number to a dispute notice. GS1 Description: A reference number identifying a previously transmitted commercial dispute.
AGT	Service group identification number Identification used for a group of services.
AGW	Scheme/plan number Reference number assigned to a service scheme or plan.
AHJ	Payee's reference number Reference number of the party to be paid.
AHL	Creditor's reference number Reference number of the party to whom a debt is owed.
AHM	Debtor's reference number Reference number of the party who owes an amount of money.

Used Codes

AHU	Request for quote number Reference number assigned by the requestor to a request for quote.
AID	Certificate of conformity Certificate certifying the conformity to predefined definitions.
AIJ	Customer's individual transaction reference number Customer's reference number allocated by the customer to one specific transaction.
AIK	Bank's individual transaction reference number Bank's reference number allocated by the bank to one specific transaction.
AIZ	Consolidated invoice number Invoice number into which other invoices are consolidated.
AJS	Agreement number A number specifying an agreement between parties.
AJT	Standard Industry Classification (SIC) number A number specifying a standard industry classification.
AKJ	Direct debit reference Reference number assigned to the direct debit operation.
AKM	Replenishment purchase order range start number Starting number of a range of purchase order numbers assigned by the buyer to vendor's replenishment orders.
AKO	Action authorization number A reference number authorizing an action.
ALK	Consignee's invoice number The invoice number assigned by a consignee.
ALL	Message batch number A number identifying a batch of messages.
ALM	Previous delivery schedule number A reference number identifying a previous delivery schedule.
ALN	Physical inventory recount reference number A reference to a re-count of physically held inventory.
ALO	Receiving advice number A reference number to a receiving advice.
ALP	Returnable container reference number A reference number identifying a returnable container.
ALQ	Returns notice number A reference number to a returns notice.

Used Codes

ALR	Sales forecast number A reference number identifying a sales forecast.
ALS	Sales report number A reference number identifying a sales report.
ALT	Previous tax control number A reference number identifying a previous tax control number. GS1 Description: A reference number identifying a previous Tax Control (TAXCON) message number.
ALV	Registered capital reference Registered capital reference of a company.
AML	Replenishment purchase order range end number Ending number of a range of purchase order numbers assigned by the buyer to vendor's replenishment orders.
AMT	Goods and Services Tax identification number An identification number assigned to an organization collecting Goods and Services Taxes (GST).
ANJ	Authorization number A number which uniquely identifies an authorization.
ANL	Deposit reference number A reference number identifying a deposit. GS1 Description: A reference number identifying a physical deposit made to a financial account by a party through the bank branch network.
ANX	Clearing reference Reference allocated by a clearing procedure.
ANZ	Direct debit reference Reference of the direct debit. Notes: This code value will be removed effective with directory D.02A.
AOA	Documentary payment reference Reference of the documentary payment.
AP	Accounts receivable number Reference number assigned by accounts receivable department to the account of a specific debtor.
APF	Price/sales catalogue response reference number A reference number identifying a response to a price/sales catalogue.
APG	General purpose message reference number A reference number identifying a general purpose message. EDIFACT

Used Codes

APH	Invoicing data sheet reference number A reference number identifying an invoicing data sheet.
API	Inventory report reference number A reference number identifying an inventory report.
APQ	Commercial account summary reference number A reference number identifying a commercial account summary.
AQQ	Activite Principale Exercee (APE) identifier The French industry code for the main activity of a company.
AQS	Nomenclature Activity Classification Economy (NACE) identifier A European industry classification code used to identify the activity of a company.
ARZ	Stock adjustment number A number identifying a stock adjustment.
ASE	Duty free products security number A security number allocated for duty free products.
ASF	Duty free products receipt authorisation number Authorisation number allocated for the receipt of duty free products.
ASG	Party information message reference Reference identifying a party information message.
ASI	Proof of delivery reference number A reference number identifying a proof of delivery which is generated by the goods recipient.
ASJ	Supplier's credit claim reference number A reference number identifying a supplier's credit claim.
ASK	Picture of actual product Reference identifying the picture of an actual product.
ASL	Picture of a generic product Reference identifying a picture of a generic product.
ASO	Password Code used for authentication purposes.
ASV	Product data file number The number of a product data file.
ATB	Purchase for export Customs agreement number A number assigned by a Customs authority allowing the purchase of goods free of tax because they are to be exported immediately after the purchase. EDIFACT
AUB	Party reference The reference to a party

Used Codes

AUD	Collection reference A reference identifying a collection.
AUG	Importer's letter of credit reference Letter of credit reference issued by importer.
AUJ	Proposed purchase order reference number A reference number assigned to a proposed purchase order.
AUK	Application for financial support reference number Reference number assigned to an application for financial support.
AUL	Manufacturing quality agreement number Reference number of a manufacturing quality agreement.
AUQ	Customs binding ruling number Binding ruling number issued by customs.
AUR	Customs non-binding ruling number Non-binding ruling number issued by customs.
AUY	International Standard Industrial Classification (ISIC) code A code specifying an international standard industrial classification.
AUZ	Customs pre-approval ruling number Pre-approval ruling number issued by Customs.
AVB	Product characteristics directory A reference to a product characteristics directory. EDIFACT
AVD	Inventory report request number A reference to a product characteristics directory. EDIFACT
AVG	Slaughterhouse approval number Veterinary licence number allocated by a national authority to a Slaughterhouse. EDIFACT
AVH	Meat cutting plant approval number Veterinary licence number allocated by a national authority to a meat cutting plant. EDIFACT
AVQ	Place of packing approval number Approval Number of the place where goods are packaged. Approval number of the place where goods are packaged. In the meat sector, some additional information is required for traceability purposes: cutting party, slaughterhouse, ..
AVS	Mandate Reference Reference to a specific mandate given by the relevant party for underlying business or action.

Used Codes

AWB	Air waybill number Reference number assigned to an air waybill, see: 1001 = 740.
AWS	Hygienic Certificate number, national Nationally set Hygienic Certificate number, such as sanitary, epidemiologic.
AWT	Administrative Reference Code Reference number assigned by Customs to a 'shipment of excise goods'.
AWV	Phone number A sequence of digits used to call from one telephone line to another in a public telephone network.
AWW	Buyer's fund number A reference number indicating the fund number used by the buyer. GS1 Note: Replaces GS1 Temporary Code BFN.
AWX	Company trading account number A reference number identifying a company trading account. GS1 Note: Replaces GS1 Temporary Code CAN.
AWY	Reserve goods identifier A reference number identifying goods in stock which have been reserved for a party. GS1 Note: Replaces GS1 Temporary Code GRN.
AWZ	Handling and movement reference number A reference number identifying a previously transmitted cargo/goods handling and movement message. GS1 Note: Replaces GS1 Temporary Code HN.
AXA	Instruction to despatch reference number A reference number identifying a previously transmitted instruction to despatch message. GS1 Note: Replaces GS1 Temporary Code IDR.
AXB	Instruction for returns number A reference number identifying a previously communicated instruction for return message. GS1 Note: Replaces GS1 Temporary Code IRN.
AXC	Metered services consumption report number A reference number identifying a previously communicated metered services consumption report. GS1 Note: Replaces GS1 Temporary Code MSC.
AXD	Order status enquiry number A reference number to a previously sent order status enquiry. GS1 Note: Replaces GS1 Temporary Code OSC.
AXE	Firm booking reference number A reference number identifying a previous firm booking. GS1 Note: Replaces GS1 Temporary Code PFB.

Used Codes

AXF	<p>Product inquiry number</p> <p>A reference number identifying a previously communicated product inquiry. GS1 Note: Replaces GS1 Temporary Code PIE.</p>
AXG	<p>Split delivery number</p> <p>A reference number identifying a split delivery. GS1 Note: Replaces GS1 Temporary Code SDR.</p>
AXH	<p>Service relation number</p> <p>A reference number identifying the relationship between a service provider and a service client, e.g., treatment of a patient in a hospital, usage by a member of a library facility, etc. GS1 Note: Replaces GS1 Temporary Code SNR.</p>
AXI	<p>Serial shipping container code</p> <p>Reference number identifying a logistic unit. GS1 Note: Replaces GS1 Temporary Code SSC.</p>
AXJ	<p>Test specification number</p> <p>A reference number identifying a test specification. GS1 Note: Replaces GS1 Temporary Code TS.</p>
AXK	<p>Transport status report number</p> <p>[1125] A reference number identifying a transport status report. GS1 Note: Replaces GS1 Temporary Code TSE.</p>
AXL	<p>Tooling contract number</p> <p>A reference number of the tooling contract. GS1 Note: Replaces GS1 Temporary Code XB5.</p>
AXM	<p>Formula reference number</p> <p>A reference number of a formula. GS1 Note: Replaces GS1 Temporary Code XB6.</p>
AXN	<p>Pre-agreement number</p> <p>A reference number identifying a pre-agreement. GS1 Note: Replaces GS1 Temporary Code XB7.</p>
AXO	<p>Product certification number</p> <p>Number assigned by a governing body (or their agents) to a product which certifies compliance with a standard. GS1 Note: Replaces GS1 Temporary Code XC1.</p>
AXP	<p>Consignment contract number</p> <p>Reference number identifying a consignment contract. GS1 Note: Replaces GS1 Temporary Code XC3.</p>
AXQ	<p>Product specification reference number</p> <p>Number assigned by the issuer to his product specification. GS1 Note: Replaces GS1 Temporary Code YA1.</p>
AXR	<p>Payroll deduction advice reference</p> <p>A reference number identifying a payroll deduction advice. GS1 Note: Replaces GS1 Temporary Code YA9.</p>

Used Codes

BC	Buyer's contract number Reference number assigned by buyer to a contract.
BFN	Buyer's fund number (GS1 Temporary Code) A reference number indicating the fund number used by the buyer. GS1 Note: Code marked for deletion. Use value AWW instead.
BM	Bill of lading number Reference number assigned to a bill of lading, see: 1001 = 705.
BN	Booking reference number [1016] Reference number assigned by the carrier or his agent when cargo space is reserved prior to loading.
BO	Blanket order number Reference number assigned by the order issuer to a blanket order.
BT	Batch number/lot number Reference number assigned by manufacturer to a series of similar products or goods produced under similar conditions.
CAN	Company trading account number (GS1 Temporary Code) A reference number identifying a company trading account. GS1 Note: Code marked for deletion. Use value AWX instead.
CBB	Order shipment grouping reference A reference number identifying the grouping of purchase orders into one shipment. GS1 Note: Replaces GS1 Temporary Code YB4.
CD	Credit note number Reference number assigned to a credit note.
CED	Debit Letter number Reference number identifying the letter of debit document. GS1 Note: Replaces GS1 Temporary Code YB8.
CFF	Animal farm licence number Veterinary licence number allocated by a national authority to an animal farm. GS1 Note: Replaces GS1 Temporary Code YC3.
CH	Customer catalogue number Number identifying a catalogue for customer's usage.
CK	Cheque number Unique number assigned to one specific cheque.
CMR	Road consignment note number Reference number assigned to a road consignment note, see: 1001 = 730.
CN	Carrier's reference number Reference number assigned by carrier to a consignment.

Used Codes

CNE	Consolidated reference number (GS1 Temporary Code) A number identifying a consolidated reference.
CO	Buyers order number [1022] Reference number assigned by the buyer to an order.
COF	Call off order number A number that identifies a call off order.
CR	Customer reference number Reference number assigned by the customer to a transaction.
CT	Contract number Reference number of a contract concluded between parties.
CU	Consignor's reference number [1140] Reference number assigned by a consignor to a particular shipment for his own purposes or for those of the consignee.
CZ	Cooperation contract number Number issued by a party concerned given to a contract on cooperation of two or more parties.
DDC	Direct debit contract reference (SWIFT Code) A reference number identifying a direct debit contract.
DL	Debit note number Reference number assigned by issuer to a debit note.
DM	Document number [1004] Reference number assigned to the document by the issuer.
DQ	Delivery note number Reference number assigned by the issuer to a delivery note.
ECN	External consolidation reference number (GS1 Temporary Code) A reference number assigned to identify an external consolidation.
EID	Economic operator identifier (EO-ID) (GS1 Temporary Code) Specify the economic operator identifier (EO-ID) number, e.g. in tobacco traceability.
ERC	External recap reference number (GS1 Temporary Code) A reference number identifying an external recap.
EX	Export licence number [1208] Reference number assigned by issuing authority to an Export Licence.
FC	Fiscal number Tax payer's number. Number assigned to individual persons as well as to corporates by a public institution; this number is different from the VAT registration number.

Used Codes

FF	Freight forwarder's reference number [1460] Reference number assigned to the consignment by the freight forwarder.
FI	File line identifier Number assigned by the file issuer or sender to identify a specific line.
FID	Facility identifier (F-ID) (GS1 Temporary Code) Identifies the place, for example the POS or warehouse where tobacco products are traded.
FV	File version number Number given to a version of an identified file.
FX	Foreign exchange contract number Reference number identifying a foreign exchange contract.
GC	Government contract number Number assigned to a specific government/public contract.
GN	Government reference number A number that identifies a government reference. GS1 Description: This code value should not be used to provide the tax identification number for a party (use code VA).
GRN	Goods reserve number (GS1 Temporary Code) A reference number identifying goods in stock which have been reserved for a party. GS1 Note: Code marked for deletion. Use value AWY instead.
HN	Handling and movement reference number (GS1 Temporary Code) A reference number identifying a previously transmitted cargo/goods handling and movement message. GS1 Note: Code marked for deletion. Use value AWZ instead.
HS	Harmonised system number Number specifying the goods classification under the Harmonised Commodity Description and Coding System of the Customs Co-operation Council (CCC).
HWB	House waybill number Reference number assigned to a house waybill, see: 1001 = 703.
IA	Internal vendor number Number identifying the company-internal vending department/unit.
IDR	Instruction to despatch reference number (GS1 Temporary Code) A reference number identifying a previously transmitted instruction to despatch message. GS1 Note: Code marked for deletion. Use value AXA instead.
IP	Import licence number [1106] Reference number assigned by the issuing authority to an Import Licence.

Used Codes

IRN	<p>Instruction for returns number (GS1 Temporary Code)</p> <p>A reference number identifying a previously communicated instruction for return message.</p> <p>GS1 Note: Code marked for deletion. Use value AXB instead.</p>
IT	<p>Internal customer number</p> <p>Number assigned by a seller, supplier etc. to identify a customer within his enterprise.</p>
IV	<p>Invoice number</p> <p>[1334] Reference number assigned by the seller to a Commercial Invoice.</p>
LC	<p>Letter of credit number</p> <p>Reference number identifying the letter of credit document.</p>
LI	<p>Line item reference number</p> <p>(1156) Reference number identifying a particular line in a document.</p>
MB	<p>Master bill of lading number</p> <p>Reference number assigned to a master bill of lading, see: 1001 = 704.</p>
MF	<p>Manufacturer's part number</p> <p>Reference number assigned by the manufacturer to his product or part.</p>
MG	<p>Meter unit number</p> <p>Number identifying a unique meter unit.</p>
MH	<p>Manufacturing order number</p> <p>Reference number assigned by manufacturer for a given production quantity of products.</p>
MR	<p>Message recipient</p> <p>A number that identifies the message recipient.</p> <p>GS1 Description: Party who receives the message.</p>
MS	<p>Message sender</p> <p>A number that identifies the message sender.</p> <p>GS1 Description: Party who sends the message.</p>
MSC	<p>Metered services consumption report (GS1 Temporary Code)</p> <p>A reference number identifying a previously communicated metered services consumption report.</p> <p>GS1 Note: Code marked for deletion. Use value AXC instead.</p>
MSS	<p>Manufacturer's material safety data sheet number</p> <p>A number that identifies a manufacturer's material safety data sheet.</p>
MWB	<p>Master air waybill number</p> <p>Reference number assigned to a master air waybill, see: 1001 = 741.</p>
ON	<p>Order number (buyer)</p> <p>[1022] Reference number assigned by the buyer to an order.</p>

Used Codes

OSE	Order status enquiry (GS1 Temporary Code) A reference number to a previously sent order status enquiry. GS1 Note: Code marked for deletion. Use value AXD instead.
PB	Payer's financial institution account number Originated company account number (ACH transfer), check, draft or wire.
PD	Promotion deal number Number assigned by a vendor to a special promotion activity.
PFB	Firm booking reference number (GS1 Temporary Code) A reference number identifying a previous firm booking. GS1 Note: Code marked for deletion. Use value AXE instead.
PIE	Product inquiry number (GS1 Temporary Code) A reference number identifying a previously communicated product inquiry number. GS1 Note: Code marked for deletion. Use value AXF instead.
PK	Packing list number (1014) Reference number assigned to a packing list, see: 1001 = 271.
PL	Price list number Reference number assigned to a price list. GS1 Description: This code should be used to identify a Price/Sales Catalogue (PRICAT) message.
POR	Purchase order response number Reference number assigned by the seller to an order response.
PP	Purchase order change number Reference number assigned by a buyer for a revision of a purchase order.
PQ	Payment reference Reference number assigned to a payment.
PR	Price quote number Reference number assigned by the seller to a quote.
PW	Prior purchase order number Reference number of a purchase order previously sent to the supplier.
PY	Payee's financial institution account number Receiving company account number (ACH transfer), check, draft or wire.
RA	Remittance advice number A number that identifies a remittance advice.
RAK	Rack identification (GS1 Temporary Code) Identification of a warehouse rack in the location for shipment pick-up.
RCE	Recap number (GS1 Temporary Code) A reference number identifying a recap.

Used Codes

RCN	Railway consignment note number Reference number assigned to a rail consignment note, see: 1001 = 720.
RF	Export reference number Reference number given to an export shipment.
SB	Sales region number A number that identifies a sales region.
SD	Sales department number A number that identifies a sales department.
SDR	Split delivery reference number (GS1 Temporary Code) A reference number identifying a split delivery. GS1 Note: Code marked for deletion. Use value AXG instead.
SE	Serial number Identification number of an item which distinguishes this specific item out of an number of identical items.
SN	Seal number [9308] Identification number on Customs or other seals affixed to containers or other transport units.
SNR	Service relation number (GS1 Temporary Code) A number used to identify a database entry which records recurring services, e.g., treatment of a patient in a hospital, usage by a member of a library facility, etc. GS1 Note: Code marked for deletion. Use value AXH instead.
SRN	Shipment reference number Reference number assigned to a shipment. GS1 Description: Reference number assigned by a consignor to a particular shipment for his own purposes or for those of the consignee.
SS	Seller's reference number Reference number assigned to a transaction by the seller.
SSC	Serial shipping container code (GS1 Temporary Code) Reference number identifying a serial shipping container or package. GS1 Note: Code marked for deletion. Use value AXI instead.
SZ	Specification number Number assigned by the issuer to his specification.
TAU	Aggregated level unique identifier (aUI) (GS1 Temporary Code) Reference the aggregated level unique identifier (aUI), e.g. in tobacco traceability.
TIN	Transport instruction number A reference number identifying a transport instruction. EDIFACT

Used Codes

TL	Tax exemption licence number Number assigned by the tax authorities to a party indicating its tax exemption authorization. This number could relate to a specified business type, a specified local area or a class of products.
TP	Test report number Reference number identifying a test report document relevant to the product.
TRB	Tribunal place registration number (GS1 Temporary Code) Registration number of a company at the tribunal place.
TS	Test specification number (GS1 Temporary Code) A reference number identifying a test specification. GS1 Note: Code marked for deletion. Use value AXJ instead.
TSE	Transport status number (GS1 Temporary Code) A reference number identifying a transport status message. GS1 Note: Code marked for deletion. Use value AXK instead.
TUU	Aggregated level unique identifier (upUI) (GS1 Temporary Code) Identifies the single pack of cigarettes issued by a central EU repository.
UC	Ultimate customer's reference number The originator's reference number as forwarded in a sequence of parties involved.
UCN	Unique consignment reference number (1202) Unique reference of a consignment (UCRN) used for identification purposes in documents and messages exchanged between parties in international trade. See also: Unique Identifier Code (UNIC) in UN/ECE Recommendation No. 8, March 1992.
UO	Ultimate customer's order number The originator's order number as forwarded in a sequence of parties involved.
VA	VAT registration number Unique number assigned by the relevant tax authority to identify a party for use in relation to Value Added Tax (VAT).
VN	Order number (supplier) Reference number assigned by supplier to a buyer's purchase order.
XA	Company/place registration number Company registration and place as legally required.
XA4	Account servicing bank reference (SWIFT Code) A reference number allocated by an account servicing bank.
XA5	Customer to customer reference number (SWIFT Code) A reference number exchanged between customers.
XA6	Third party reference number (SWIFT Code) A number used to identify references related to third parties.

Used Codes

XA8	Credit card number (SWIFT Code) A reference number identifying a credit card.
XB1	Clearing number (SWIFT Code) A reference number identifying a clearing.
XB5	Tooling contract number (GS1 Temporary Code) Number of the tooling contract. GS1 Note: Code marked for deletion. Use value AXL instead.
XB6	Formula number (GS1 Temporary Code) Number of the formula. GS1 Note: Code marked for deletion. Use value AXM instead.
XB7	Pre-agreement number (GS1 Temporary Code) Number identifying a pre-agreement. GS1 Note: Code marked for deletion. Use value AXN instead.
XC1	Product certification number (GS1 Temporary Code) Number assigned by a governing body (or their agents) to a product which certifies compliance with a standard. GS1 Note: Code marked for deletion. Use value AXO instead.
XC3	Consignment contract number (GS1 Temporary Code) Reference number identifying a consignment contract. GS1 Note: Code marked for deletion. Use value AXP instead.
YA1	Product specification reference number (GS1 Temporary Code) Number assigned by the issuer to his product specification. GS1 Note: Code marked for deletion. Use value AXQ instead.
YA3	Numbering per year (GS1 Temporary Code) Financial statement should be identified consecutively numbered per year.
YA6	Bank statement number (SWIFT Code) A reference number identifying a bank statement.
YA9	Payroll deduction advice reference (GS1 Temporary Code) A reference number identifying a payroll deduction advice. GS1 Note: Code marked for deletion. Use value AXR instead.
YB4	Order shipment grouping reference (GS1 Temporary Code) A reference number identifying the grouping of purchase orders into one shipment. GS1 Note: Code marked for deletion. Use value CBB instead.
YB8	Debit Letter (GS1 Temporary Code) Reference number identifying the letter of debit document. GS1 Note: Code marked for deletion. Use value CED instead.
YC1	Additional party identification (GS1 Temporary Code) Reference number to an additional party identification. This number may be the internal trading partner identification number used by a party to identify its trading parties.

Used Codes

YC3	Farm approval number (GS1 Temporary Code) Veterinary licence number allocated by a national authority to an animal farm.
YC6	Electrical and Electronic Equipment Producer registration number (GS1 Temporary Code) National registration number of the producers of Electrical and Electronic Equipment
YC7	Batteries and Accumulators Producer registration number (GS1 Temporary Code) National registration number of the producers of Batteries and Accumulators
ZZZ	Mutually defined reference number Number based on party agreement.
1225	Message function code Code indicating the function of the message.
9	Original Initial transmission related to a given transaction.
2005	Date or time or period function code qualifier Code qualifying the function of a date, time or period.
1	Service completion date/time, actual Actual date/time on which the service was completed.
2	Delivery date/time, requested Date on which buyer requests goods to be delivered.
3	Invoice date/time [2376] Date when a Commercial Invoice is issued.
4	Order date/time [2010] Date when an order is issued.
7	Effective date/time Date and/or time at which specified event or document becomes effective.
8	Order received date/time Date/time when the purchase order is received by the seller.
9	Processing date/time Date/time of processing.
10	Shipment date/time, requested Date on which goods should be shipped or despatched by the supplier.
11	Despatch date and/or time (2170) Date/time on which the goods are or are expected to be despatched or shipped.

Used Codes

12	Terms discount due date/time Date by which payment should be made if discount terms are to apply.
13	Terms net due date Date by which payment must be made.
14	Payment date/time, deferred Date/time when instalments are due.
15	Promotion start date/time Date/time when promotion activities begin.
16	Promotion end date/time Date/time when promotion activities end.
17	Delivery date/time, estimated Date and/or time when the shipper of the goods expects delivery will take place.
18	Installation date/time/period The date/time/period of the act, or an instance of installing something or someone.
35	Delivery date/time, actual Date/time on which goods or consignment are delivered at their destination.
36	Expiry date Date of expiry of the validity of a referenced document, price information or any other referenced data element with a limited validity period.
37	Ship not before date/time Goods should not be shipped before given date/time.
38	Ship not later than date/time Date/time by which the goods should have been shipped.
44	Availability Date/time when received item is available.
50	Goods receipt date/time Date/time upon which the goods were received by a given party.
55	Confirmed date/time Date/time which has been confirmed.
58	Clearance date (Customs) (3080) Date on which Customs formalities necessary to allow goods to be exported, to enter home use, or to be placed under another Customs procedure has been accomplished (CCC).
59	Inbond movement authorization date Inland movement authorization date.

Used Codes

61	Cancel if not delivered by this date The date on which cancellation should take place, if delivery has not occurred.
63	Delivery date/time, latest Date identifying a point of time after which goods shall not or will not be delivered.
64	Delivery date/time, earliest Date identifying a point in time before which the goods shall not be delivered.
67	Delivery date/time, current schedule Delivery Date deriving from actual schedule.
69	Delivery date/time, promised for [2138] Date by which, or period within which, the merchandise should be delivered to the buyer, as agreed between the seller and the buyer (generic term).
71	Delivery date/time, requested for (after and including) Delivery is requested to happen after or on given date.
72	Delivery date/time, promised for (after and including) Delivery might take place earliest at given date.
73	Guarantee period The period for which the guarantee is or will be granted.
74	Delivery date/time, requested for (prior to and including) Delivery is requested to happen prior to or including the given date.
75	Delivery date/time, promised for (prior to and including) Delivery might take place latest at given date.
76	Delivery date/time, scheduled for The date/time for which delivery is scheduled.
79	Shipment date/time, promised for Shipment might happen at given date/time.
90	Report start date The date on which a report is to begin.
91	Report end date The date on which a report is to end.
94	Production/manufacture date Date on which goods are produced.
95	Bill of lading date Date as specified on the bill of lading.
99	Quotation opening date The date on which the quotation has been or may be opened.

Used Codes

100	Product ageing period before delivery Period of time before delivery during which the product is ageing.
102	Health problem period Period of time of health problem. GS1 Description: Period of time of exceptional health problems.
117	Delivery date/time, first First possible date/time for delivery.
119	Test completion date Date when a test has been completed.
124	Despatch note date [2218] Date when a Despatch Note is issued.
126	Contract date [2326] Date when a Contract is agreed.
128	Delivery date/time, last Date when the last delivery should be or has been accomplished.
129	Exportation date Date when imported vessel/merchandise last left the country of export for the country of import.
131	Tax point date Date on which tax is due or calculated.
132	Arrival date/time, estimated (2348) Date/time when carrier estimates that a means of transport should arrive at the port of discharge or place of destination.
133	Departure date/time, estimated Date/time when carrier estimates that a means of transport should depart at the place of departure.
134	Rate of exchange date/time Date/time on which the exchange rate was fixed.
136	Departure date/time [2280] Date (and time) of departure of means of transport.
137	Document/message date/time (2006) Date/time when a document/message is issued. This may include authentication.
138	Payment date [2034] Date on which an amount due is made available to the creditor, in accordance with the terms of payment.
140	Payment due date Date/time at which funds should be made available.

Used Codes

143	Acceptance date/time of goods [2126] Date on which the goods are taken over by the carrier at the place of acceptance (CMR 4).
147	Expiry date of export licence [2078] Date of expiry of the validity of an Export Licence.
151	Importation date Date on which goods are imported, as determined by the governing Customs administration.
152	Exportation date for textiles Date when imported textiles last left the country of origin for the country of importation.
154	Acceptance date of document The date on which a document was accepted. GS1 Description: Date on which a document was, or will be, accepted.
155	Accounting period start date The first date of an accounting period.
156	Accounting period end date The last date of an accounting period.
157	Validity start date The first date of a period for which something is valid.
162	Release date of supplier Date when the supplier released goods.
165	Tax period start date Date when a tax period begins.
166	Tax period end date Date when a tax period ends.
167	Charge period start date The charge period's first date.
168	Charge period end date The charge period's last date.
169	Lead time Time required between order entry till earliest goods delivery.
171	Reference date/time Date/time on which the reference was issued.
174	Advise after date/time The information must be advised after the date/time indicated.

Used Codes

175	Advise before date/time The information must be advised before the date/time indicated.
176	Advise completed date/time The advise has been completed at the date indicated.
177	Advise on date/time The information must be advised on the date/time indicated.
178	Arrival date/time, actual [2106] Date (and time) of arrival of means of transport.
179	Booking date/time Date at which the booking was made.
180	Closing date/time Final date for delivering cargo to a liner ship.
182	Issue date Date when a document/message has been or will be issued.
186	Departure date/time, actual (2280) Date (and time) of departure of means of transport.
189	Departure date/time, scheduled Date (and time) of scheduled departure of means of transport.
190	Transshipment date/time Date and time of the transfer of the goods from one means of transport to another.
191	Delivery date/time, expected Date/time on which goods are expected to be delivered.
192	Expiration date/time of customs document Date on which validity of a customs document expires.
193	Execution date The date when ordered bank initiated the transaction.
194	Start date/time Date/time on which a period starts.
195	Expiry date of import licence [2272] Date of expiry of the validity of an Import Licence.
199	Positioning date/time of goods The date and/or time the goods have to be or have been positioned.
200	Pick-up/collection date/time of cargo Date/time at which the cargo is picked up.
202	Posting date The date when an entry is posted to an account.

Used Codes

203	Execution date/time, requested The date/time on which the ordered bank is requested to initiate the payment order, as specified by the originator (e.g. the date of the debit).
206	End date/time Date/time on which a period (from - to) ends.
209	Value date Date on which the funds are at the disposal of the beneficiary or cease to be at the disposal of the ordering customer.
211	360/30 Calculation is based on year of 360 days, month of 30 days.
212	360/28-31 Calculation is based on year of 360 days, month of 28-31 days.
213	365-6/30 Calculation is based on year of 365-6 days, month of 30 days.
214	365-6/28-31 Calculation is based on year of 365-6 days, month of 28-31 days.
215	365/28-31 Calculation is based on year of 365 days, month of 28-31 days.
216	365/30 Calculation is based on year of 365 days, month of 30 days.
218	Authentication/validation date/time The date/time of authentication and/or validation.
219	Crossborder date/time Date/time at which goods are transferred across a country border.
221	Interest period Number of days used for the calculation of interests.
222	Presentation date, latest Latest date for presentation of a document.
223	Delivery date/time, deferred New date and time of delivery calculated on basis of a consignee's requirement (chargeable).
227	Beneficiary's banks due date Date on which funds should be made available to the beneficiary's bank.
231	Arrival date/time, earliest Date/time of earliest arrival of means of transport.
232	Arrival date/time, scheduled Date (and time) of scheduled arrival of means of transport.

Used Codes

234	Collection date/time, earliest The transport order may be issued before the goods are ready for picking up. This date/time indicates from when on the carrier can have access to the consignment.
235	Collection date/time, latest In relation with the arrangements agreed between buyer and seller or between sender and main transport it may be necessary to specify the latest collection date/time.
255	Availability due date Date when ordered items should be available at a specified location.
257	Calculation date/time/period The date/time/period on which a calculation will take, or has taken, place.
260	Valuation date (Customs) Date when Customs valuation was made.
261	Release date/time Date/time assigned to identify the release of a set of rules, conditions, conventions, productions, etc.
263	Invoicing period Period for which an invoice is issued.
265	Due date The date on which some action should occur.
266	Validation date The date on which something was made valid, ratified or confirmed. GS1 Description: The date on which the validation of a document or message has taken place.
267	Rate/price date/time Date/time on which a rate/price is determined.
273	Validity period Dates (from/to)/period referenced documents are valid.
282	Confirmation date lead time Lead time is referenced to the date of confirmation.
306	Work period Period of execution of works.
310	Received date/time Date/time of receipt.
315	Agreement to pay date Date on which the debtor agreed to pay.
321	Promotion date/period Date/period relevant for specific promotion activities.

Used Codes

322	Accounting period Self-explanatory. GS1 Description: Period related to a company's accounting procedures/fiscal calendar.
324	Processing date/period Date/period a specific process happened/will happen.
325	Tax period Period a tax rate/tax amount etc. is applicable. GS1 Description: A period which is designated by tax authorities, e.g. VAT period.
326	Charge period Period a specified charge is valid for.
328	Payroll deduction date/time Date/time of a monetary deduction made from the salary of a person on a payroll.
334	Status change date/time Date/time when a status changes.
349	Packing end date Date on which packing completed.
350	Test start date Date when a test has been started.
351	Inspection date Date of inspection.
356	Sales date, and or time, and or period The date, and or time, and or period on which a sale took place.
357	Cancel if not published by this date Cancel if not published by this date.
358	Scheduled for delivery on or after Scheduled for delivery on or after the specified date, and or time.
359	Scheduled for delivery on or before Scheduled for delivery on or before specified date and or time.
360	Sell by date The date by which a product should be sold.
361	Best before date The best before date.
362	End availability date The end date of availability.

Used Codes

363	Total shelf life period A period indicating the total shelf life of a product.
364	Minimum shelf life remaining at time of despatch period Period indicating the minimum shelf life remaining for a product at the time of leaving the supplier.
365	Packaging date The date on which the packaging of a product took place.
366	Inventory report date Date on which a inventory report is made.
367	Previous meter reading date Date on which the previous reading of a meter took place.
368	Latest meter reading date Date on which the latest reading of a meter took place.
369	Date and or time of handling, estimated The date and or time when the handling action is estimated to take place.
381	Product Lifespan at time of production (GS1 Temporary Code) The total lifespan of a product at the time of its production.
382	Earliest sale date The earliest date on which the product may be made available for sale.
383	Cancel if not shipped by this date Cancel the order if goods not shipped by this date. GS1 Description: Cancel the identified order if it has not been shipped/despatched by this date.
417	Previous booking date/time Date/time at which the previous booking was made.
418	Minimum shelf life remaining at time of receipt The minimum shelf life remaining at the time of receipt.
419	Forecast period A period for which a forecast applies. GS1 Description: A validity period for a forecast.
423	First date of ordering The first date on which ordering may take place.
424	Last date of ordering The last date on which ordering may take place.
434	Maturity date Date at which maturity occurs.

Used Codes

447	Creditor's requested value date Date on which the creditor requests to be credited.
448	Referenced item creation date Creation date of referenced item.
454	Accounting value date Date against which the entry has to be legally allocated.
496	Reinstatement date Identifies the date of reinstatement.
506	Back order delivery date/time/period The date/time/period during which the delivery of a back order will take, or has taken, place.
530	Fumigation date and/or time The date/or time on which fumigation is to occur or has taken place.
531	Payment period A period of time in which a payment has been or will be made.
536	Review date Date the item was or will be reviewed.
541	First published date Date when material was first published.
557	Returned date Date return takes place. GS1 Description: Date by which goods must be, or have been, returned.
656	Age Length of time that a person or thing has existed. GS1 Description: Length of time that a person or animal has lived or a thing has existed.
684	Deletion date The date on which deletion occurs.
685	First sale date and/or time and/or period The first date, and/or time, and/or period a product was sold.
686	Last sale date and/or time and/or period The last date, and/or time, and/or period a product was sold.
706	File generation date and/or time Date and, or time of file generation.
743	Purchase order latest possible change date Date identifying a point of time after which a purchase order cannot be changed.

Used Codes

748	Open period Code identifying the period during which something is, was or will be open.
750	Before date The specified before date. EDIFACT
751	After date The specified after date. EDIFACT
753	Maturity date, optimal Date at which optimal maturity occurs. EDIFACT
754	Product ageing duration, maximum Maximum period of time during which the product is ageing. EDIFACT
755	Product ageing duration, minimum Minimum period of time during which the product is ageing. EDIFACT
758	Trade item ship date/time, earliest possible The earliest date/time that the trade item can be shipped. It indicates the earliest date that the trade item can be shipped. This is independent of any specific ship-from location.
759	Trade item ship date/time, latest possible The latest date/time that the trade item can be shipped. It indicates the latest date that the trade item can be shipped. This is independent of any specific ship-from location.
760	Start date/time, maximum buying quantity The date/time from which the maximum buying quantity may be purchased. The start date for when the maximum buying quantity is available to the trading partner.
761	Start date/time, minimum buying quantity The date/time from which the minimum buying quantity may be purchased. The start date for when the minimum buying quantity is available to the trading partner.
762	Marketing campaign end date/time, suggested The date and or time suggested for the marketing campaign to end. The date suggested by the supplier for the campaign to end. It indicates the end of a marketing campaign.
763	Marketing campaign start date/time, suggested The date and or time suggested for the marketing campaign to start. The date suggested by the supplier for the campaign to start. It indicates the beginning of a marketing campaign.

Used Codes

764	<p>Start availability date The start date of availability. Indicates the start date of the trade item's seasonal availability.</p>
765	<p>Seasonal availability calendar year The calendar year of the season in which the trade item is available.</p>
766	<p>Goods pickup lead time Minimum time required between order entry and goods release for pick-up. Time (in weeks, days, hours ...) required between order entry and the earliest goods release (use for pick-up, not use for delivery).</p>
767	<p>Change date/time, latest Most recent date and/or time that the information has been changed. A system generated value identifying the date and time a record was last updated.</p>
768	<p>End date/time, maximum buying quantity The date and/or time until which the maximum buying quantity may be purchased. The end date for when the maximum buying quantity is no longer available to the trading partner.</p>
769	<p>End date/time, minimum buying quantity The date and/or time until which the minimum buying quantity may be purchased. The end date for when the minimum buying quantity is no longer available to the trading partner.</p>
770	<p>End date/time of exclusivity The date and/or time until which a product is exclusive. The Date & Time at which a product is no longer exclusive to that trading partner.</p>
772	<p>Handling start date and/or time, actual The actual date and/or time when the start of the handling action takes place.</p>
773	<p>Handling end date and/or time, estimated The date and/or time when the end of the handling action is estimated to take place.</p>
774	<p>Handling end date and/or time, actual The actual date and/or time when the end of the handling action takes place.</p>
775	<p>Minimum product lifespan for consumer The minimum life span of the product remaining after selling it to the consumer, i.e. between the "sell by date" and the "use by date" of the product.</p>
789	<p>Opened trade item life span The number of days the trade item that had been opened can remain on the shelf and must then be removed.</p>
793	<p>Reprocessing date/time Date/time on which goods previously produced are re-processed.</p>

Used Codes

794	First returnable date/time The first date/time on or after which items can be returned.
795	Community visibility date/time The date/time from which information becomes visible to the target community.
796	Catch date/time Date/time of catch.
799	Validity end date The last date of a period for which something is valid. GS1 Note: Replaces GS1 Temporary Code 21E.
800	Next status report date Date of the next status report. GS1 Note: Replaces GS1 Temporary Code 40E.
801	Service connection date/time, actual The date/time on which a service was connected, e.g. telephone, water, etc. GS1 Note: Replaces GS1 Temporary Code 44E.
802	Service disconnection date/time, actual The date/time on which a service was DISconnected, e.g. telephone, water, etc. GS1 Note: Replaces GS1 Temporary Code 45E.
803	Empty equipment required date/time/period Date/time/period on which empty equipment is required. GS1 Note: Replaces GS1 Temporary Code 50E.
804	Product sterilisation date Date on which a product was sterilised. GS1 Note: Replaces GS1 Temporary Code 90E.
805	Stock demand cover period, expected A period of time when stocks are expected to cover demand for a product. GS1 Note: Replaces GS1 Temporary Code 96E.
806	Shipment date/time, expected Date and/or time when shipment is expected. GS1 Note: Replaces GS1 Temporary Code X13.
807	Slaughtering date/time Date/time of slaughtering
808	Animal birth date/time Date/time when an animal was born
809	Seasonal availability end date Indicates the end date of the trade item's seasonal availability
822	Delivery place booking date/time Date/time at which a booking was made at the delivery place.

Used Codes

823	Pickup place booking date/time Date/time at which a booking was made at the pickup place.
21E	End validity date (GS1 Temporary Code) Date indicating the end date of a validity period. GS1 Note: Code marked for deletion. Use value 799 instead.
40E	Next status date (GS1 Temporary Code) The next date on which a status report will be provided. GS1 Note: Code marked for deletion. Use value 800 instead.
41E	Product lifespan from time of production (GS1 Temporary Code) An indication of the lifespan of a product from its time of production.
44E	Connection date/time (GS1 Temporary Code) The date/time on which a service was connected, e.g. telephone, water, etc. Connection date/time
45E	Disconnection date/time (GS1 Temporary Code) The date/time on which a service was disconnected, e.g. telephone, water, etc. GS1 Note: Code marked for deletion. Use value 802 instead.
46E	Order completion date/time (GS1 Temporary Code) The date/time on which an order was completed.
50E	Empty equipment required date/time/period (GS1 Temporary Code) Date on which empty equipment is required. GS1 Note: Code marked for deletion. Use value 803 instead.
54E	Stuffing date/time (GS1 Temporary Code) The date/time on which the stuffing of a container is to take place, or has taken place.
55E	Un-stuffing date/time (GS1 Temporary Code) The date/time on which the un-stuffing of a container is to take place, or has taken place.
61B	Cancel if not delivered by this date unless title not published at time (GS1 Temporary Code) Cancel the product ordered if it has not been delivered by this date unless it had not been published at the time of order. GS1 Note: Code marked for deletion.
63B	Latest availability date if not yet despatched (GS1 Temporary Code) The latest availability date required for a product or order if it has not already been despatched.
90E	Product sterilisation date (GS1 Temporary Code) Date on which a product was sterilised. GS1 Note: Code marked for deletion. Use value 804 instead.
91E	First freezing date (GS1 Temporary Code) Date on which a product was first frozen.

Used Codes

92E	Pension deduction payment date (GS1 Temporary Code) Date when the deduction was made from the salary of the employee.
93E	Professional risk deduction payment date (GS1 Temporary Code) Date when the risk deduction was made from the salary of the employee.
94E	Health care deduction payment date (GS1 Temporary Code) Date when health care deduction was made.
96E	Stock cover period (GS1 Temporary Code) A period of time when all stocks are expected to cover demand for a product. GS1 Note: Code marked for deletion. Use value 805 instead.
98E	Discharge date/time, start (GS1 Temporary Code) Date/time when all discharge operations on the transport means have actually been started.
X13	Expect to ship by (GS1 Temporary Code) The consignment is expected to be shipped by this date and/or time. GS1 Note: Code marked for deletion. Use value 806 instead.
X14	Requested for delivery week commencing (GS1 Temporary Code) Code requesting delivery of an order or order line during a specified week.
X19	Material Safety Data Sheet issue date (GS1 Temporary Code) A date when a Material Safety Data Sheet has been or will be issued.
X20	Slaughter date/time (GS1 Temporary Code) Date/time of slaughtering of an animal. GS1 Note: Code marked for deletion. Use value 807 instead.
X21	Animal Birth date/time (GS1 Temporary Code) Date/time when an animal was born. For traceability purposes. GS1 Note: Code marked for deletion. Use value 808 instead.
X49	Seasonal availability end date (GS1 Temporary Code) Indicates the end date of the trade item's seasonal availability. GS1 Note: Code marked for deletion. Use value 809 instead.
X50	Committed quantity announcement date (GS1 Temporary Code) The date when quantity committed by store could be announced to the supply chain of the retailer.
XF2	Date of issue and maturity (SWIFT Code) Date when a document/message has been issued and becomes mature.
YB9	Total credits (SWIFT Code) The total value of credits to a financial account.
2009	Terms time relation code Code relating terms to a reference date, time or period.

Used Codes

1	Reference date Payment terms related to reference date.
2	Before reference Payment terms related to time before reference date.
3	After reference Payment terms related to time after reference date.
4	End of 10-day period containing the reference date Payment terms are at the end of the ten day period containing the reference date.
5	End of 2-week period containing the reference date Payment terms are at the end of the two week period containing the reference date.
6	End of month containing the reference date Payment terms are at the end of the month containing the reference date.
7	End of the month following the month of reference date Payment terms are at the end of the month following the month of reference date.
8	End of quarter containing the reference date Payment terms are at the end of the quarter containing the reference date.
9	End of year containing the reference date Payment terms are at the end of the year containing the reference date.
10	End of week containing the reference date Payment terms are at the end of the week containing the reference date.
11	End of ten day period following month after reference date's month Payment terms are 10 days after the end of the referenced month.
14	End of 15-day period containing the reference date Payment terms are at the end of the 15-day period containing the reference date.
16	Whichever is first, the 15th or last day of the month following the payment terms period The payment terms are at, whichever is first, the 15th or the last day of the month following the payment terms period (payment terms period = period of time between the reference date and the theoretical due date).
17	After end of month containing the reference date Payment terms related to a time after the end of the month containing the reference date.
2151	Period type code Code specifying the type of period.

Used Codes

3M	Quarter A subdivision of a year into four equal parts.
6M	Half-year A subdivision of a year into two equal parts.
CD	Calendar day (includes weekends and holidays) Period given as a number of days including weekends and holidays.
D	Day The twenty-four hour period during which the earth completes one rotation on its axis.
H	Hour One of the twenty-four sub-divisions of a day.
M	Month One of twelve divisions of the year as determined by the Gregorian calendar.
W	Week Period of seven days.
WD	Working days Days when the partner company normally works. GS1 Description: Days when a company normally works (excluding national holidays).
Y	Year The period of time as measured by the Gregorian calendar in which the earth completes a single revolution around the sun.
2379	Date or time or period format code Code specifying the representation of a date, time or period.
2	DDMMYY Calendar date: D = Day; M = Month; Y = Year.
101	YYMMDD Calendar date: Y = Year; M = Month; D = Day.
102	CCYYMMDD Calendar date: C = Century ; Y = Year ; M = Month ; D = Day.
104	MMWW-MMWW A period of time specified by giving the start week of a month followed by the end week of a month. Data is to be transmitted as consecutive characters without hyphen.
107	DDD Day's number within a specific year: D = Day.
108	WW Week's number within a specific year: W = Week.

Used Codes

109	MM Month's number within a specific year: M = Month.
110	DD Day's number within is a specific month.
201	YYMMDDHHMM Calendar date including time without seconds: Y = Year; M = Month; D = Day; H = Hour; M = Minute.
203	CCYYMMDDHHMM Calendar date including time with minutes: C=Century; Y=Year; M=Month; D=Day; H=Hour; M=Minutes.
204	CCYYMMDDHHMMSS Calendar date including time with seconds: C=Century;Y=Year; M=Month; D=Day;H=Hour;M=Minute;S=Second.
401	HHMM Time without seconds: H = Hour; m = Minute.
501	HHMMHHMM Time span without seconds: H = Hour; m = Minute;.
502	HHMMSS-HHMMSS Format of period to be given without hyphen.
602	CCYY Calendar year including century: C = Century; Y = Year.
609	YYMM Month within a calendar year: Y = Year; M = Month.
610	CCYYMM Month within a calendar year: CC = Century; Y = Year; M = Month.
615	YYWW Week within a calendar year: Y = Year; W = Week 1st week of January = week 01.
616	CCYYWW Week within a calendar year: CC = Century; Y = Year; W = Week (1st week of January = week 01).
713	YYMMDDHHMM-YYMMDDHHMM Format of period to be given in actual message without hyphen.
715	YYWW-YYWW A period of time specified by giving the start week of a year followed by the end week of year (both not including century). Data is to be transmitted as consecutive characters without hyphen.
717	YYMMDD-YYMMDD Format of period to be given in actual message without hyphen.

Used Codes

718	CCYYMMDD-CCYYMMDD Format of period to be given without hyphen.
719	CCYYMMDDHHMM-CCYYMMDDHHMM A period of time which includes the century, year, month, day, hour and minute. Format of period to be given in actual message without hyphen.
720	DHHMM-DHHMM Format of period to be given without hyphen (D=day of the week, 1=Monday; 2=Tuesday; ... 7=Sunday).
801	Year To indicate a quantity of years.
802	Month To indicate a quantity of months.
803	Week To indicate a quantity of weeks.
804	Day To indicate a quantity of days.
805	Hour To indicate a quantity of hours.
806	Minute To indicate a quantity of minutes.
810	Trimester To indicate a quantity of trimesters (three months).
811	Half month To indicate a quantity of half months.
21E	DDHHMM-DDHHMM (GS1 Temporary Code) Format of period to be given in actual message without hyphen.
2475	Time reference code Code referencing a point in time.
1	Date of order Payment time reference is date of order.
2	Date of confirmation Payment time reference is date of confirmation.
3	Date of contract Payment time reference is date of contract.
5	Date of invoice Payment time reference is date of invoice.

Used Codes

6	Date of credit note Payment time reference is date of credit note.
7	Date of present document Payment time reference is date of present document.
8	Date of confirmation of order received Payment time reference is date of confirmation received.
9	Date invoice received Payment time reference is date of invoice received.
11	Date credit note received Payment time reference is date of credit note received.
12	Date present document received Payment time reference is date of present document received.
21	Date goods received by buyer Payment time reference is date when goods are received by buyer.
23	Date goods received by carrier Payment time reference is date when goods are received by carrier.
26	Date of arrival of transport Date the transport arrived at the agreed destination.
27	Date of outward frontier crossing Date the goods are crossing the border of the exporters country.
28	Date of inward frontier crossing Date the goods are crossing the border of the importers country.
29	Date of delivery of goods to establishments/domicile/site Date the goods are delivered at agreed place of destination.
52	Due date of negotiable instrument Date when the negotiable instrument is due for payment.
66	Specified date Date specified elsewhere.
67	Anticipated delivery date The date on which delivery is anticipated to take place.
68	Effective date The date on which an action or event becomes effective.
69	Invoice transmission date Payment time reference is the date of invoice transmission.
70	Date of issue of transport document(s) The date on which a transport document(s) is issued.

Used Codes

72	Payment date Date when a payment was made.
78	Customs clearance date (import) Date when goods clear Customs in the importing country.
79	Customs clearance date (export) Date when goods clear Customs in the exporting country.
80	Date of salary payment Date when a salary payment was made.
81	Date of shipment as evidenced by the transport document(s) Date of shipment as evidenced by the transport document(s).
83	Requested date of delivery Payment terms apply from the requested date of delivery.
83E	Period of exceptional situation (GS1 Temporary Code) Period of a situation that affects the normal contribution of the employee.
X10	Receipt of goods (GS1 Temporary Code) Payment time reference is the date when goods are received by a receiving party.
3035	Party function code qualifier Code giving specific meaning to a party.
AB	Buyer's agent/representative Third party who arranged the purchase of merchandise on behalf of the actual buyer.
ACD	Party has access to all non publicly available data (GS1 Temporary Code) The identified party has access to all non publicly available pricing and non-pricing data associated with the current product.
ACN	Party has access only to non publicly available non-pricing data (GS1 Temporary Code) The identified party has access only to the non publicly available non-pricing data associated with the current product.
ACP	Party has access only to non publicly available pricing data (GS1 Temporary Code) The identified party has access only to the non publicly available pricing data associated with the current product.
AE	Declarant's agent/representative Any natural or legal person who makes a declaration to an official body on behalf of another natural or legal person, where legally permitted (CCC).
AG	Agent/representative (3196) Party authorized to act on behalf of another party.

Used Codes

AP	Accepting party (3352) Party accepting goods, products, services etc.
AS	Account servicing financial institution Identifies the financial institution servicing the account(s).
BE	Beneficiary The ultimate recipient of the funds. Normally the account owner who is reimbursed by the payor.
BF	Beneficiary's bank Identifies the account servicer for the beneficiary or the payee.
BK	Financial institution Party acting as financial institution.
BL	Bill of lading recipient Party to receive B/L.
BO	Broker or sales office Party acting in the name of the seller as broker or as sales office.
BQ	Cheque drawn bank Identifies the bank on which the cheque should be drawn, as instructed by the ordering customer.
BS	Bill and ship to Party receiving goods and relevant invoice.
BY	Buyer Party to whom merchandise and/or service is sold.
CA	Carrier (3126) Party undertaking or arranging transport of goods between named points.
CG	Carrier's agent Party authorized to act for or on behalf of carrier.
CH	Connecting carrier Owner or operator of a transportation conveyance to which goods in a given transaction will be transferred.
CK	Empty equipment despatch party Party from whose premises empty equipment will be or has been despatched.
CM	Customs Identification of customs authority relevant to the transaction or shipment.
CN	Consignee (3132) Party to which goods are consigned.
CO	Corporate office Identification of the Head Office within a company.

Used Codes

COD	<p>Quotation requesting party The party sending the requests for quotation. GS1 Note: Replaces GS1 Temporary Code QP. EDIFACT</p>
CPE	<p>Central payment service (GS1 Temporary Code) Master of the conveyance. GS1 Description: A party providing central (or consolidated payment) services.</p>
CPU	<p>Central procurement party (GS1 Temporary Code) Party responsible for all aspects (e.g. tenders, orders, invoices, ..) of procurement.</p>
CQ	<p>Cheque order Party to which the cheque will be ordered, when different from the beneficiary.</p>
CR	<p>Empty equipment return party Party to whose premises empty equipment will be or has been returned.</p>
CRB	<p>Creditor's bank (SWIFT Code) Identifies the account servicer for the creditor.</p>
CRE	<p>Creditor (SWIFT Code) The party to be credited with funds.</p>
CS	<p>Consolidator Party consolidating various consignments, payments etc.</p>
CW	<p>Equipment owner Owner of equipment (container, etc.).</p>
CX	<p>Consignee's agent Party authorized to act on behalf of the consignee.</p>
CZ	<p>Consignor (3336) Party which, by contract with a carrier, consigns or sends goods with the carrier, or has them conveyed by him. Synonym: shipper, sender.</p>
DBB	<p>Debtor's bank (SWIFT Code) Identifies the account servicer for the debtor.</p>
DCS	<p>Temporary employee A person employed on a temporary basis.</p>
DCT	<p>Designer A party who designs.</p>
DCU	<p>Quotation delivered to Party to whom the quotation is to be or has been delivered. EDIFACT</p>
DCV	<p>Developer A party who develops.</p>

Used Codes

DCX	Party to receive refund Party to whom a refund is given.
DEF	Meat cutter Person whose job is to cut up and/or mince meat. EDIFACT
DEQ	Shipper Party responsible for the shipment of goods.
DER	Source data pool A data pool that supports the functionality required by a data source such as data loading, publication, notification, registration, etc.
DES	Brand owner The owner of a brand.
DFZ	Article information responsible party The party responsible for article information. GS1 Note: Replaces GS1 Temporary Code IPD.
DGA	Price information responsible party The party responsible for price information. GS1 Note: Replaces GS1 Temporary Code IPR.
DGB	Invoice processing party Party to whom the invoice is sent and who processes the invoice on behalf of the invoicee. Note, the invoicee is legally responsible for the invoice and can be different to the processing party. GS1 Note: Replaces GS1 Temporary Code ITO.
DGC	Logistic service provider A party providing logistic services for another party (e.g re-packing suppliers products) on products. GS1 Note: Replaces GS1 Temporary Code LSP.
DGD	Fattener Party which provides fattening services. GS1 Note: Replaces GS1 Temporary Code X51.
DGE	Breeder Party which provides breeding. GS1 Note: Replaces GS1 Temporary Code X52.
DL	Factor Company offering a financial service whereby a firm sells or transfers title to its accounts receivable to the factoring company.
DM	Party to whom documents are to be presented Party to whom documents are to be presented.

Used Codes

DP	<p>Delivery party (3144) Party to which goods should be delivered, if not identical with consignee. GS1 Description: Party to which goods should be delivered, if not the same as the buyer.</p>
DS	<p>Distributor Party distributing goods, financial payments or documents.</p>
EM	<p>Party to receive electronic memo of invoice Party being informed about invoice issue (via EDI).</p>
EO	<p>Owner of equipment Party who owns equipment.</p>
EX	<p>Exporter (3030) Party who makes - or on whose behalf a Customs clearing agent or other authorized person makes - an export declaration. This may include a manufacturer, seller or other person. Within a Customs union, consignor may have the same meaning as exporter.</p>
FD	<p>Buyer's parent company Parent company, e.g. holding company.</p>
FP	<p>Freight/charges payer Party responsible for the payment of freight.</p>
FR	<p>Message from Party where the message comes from.</p>
FW	<p>Freight forwarder Party arranging forwarding of goods.</p>
GL	<p>Socially insured person A person who is registered in a social security scheme.</p>
GM	<p>Inventory controller To specifically identify the party in charge of inventory control.</p>
GO	<p>Goods owner The party which owns the goods.</p>
GQ	<p>Slaughterer Party or person who has undertaken or will undertake a slaughter.</p>
GW	<p>Party fulfilling all operations Code indicating the fact that the party identified carries out all operations within that company's activities.</p>
GX	<p>Central catalogue party Party controlling a central catalogue.</p>
GY	<p>Inventory reporting party Party reporting inventory information.</p>

Used Codes

GZ	Substitute supplier Party which may be in a position to supply products or services should the main usual supplier be unable to do so.
HP	Final message recipient To identify the final recipient of the message.
HQ	Owner of account (SWIFT Code) Identifies the owner of the account.
HX	Debtor (SWIFT Code) Party from whom payment is due.
I1	Intermediary bank 1 A financial institution between the ordered bank and the beneficiary's bank.
I2	Intermediary bank 2 A financial institution between the ordered bank and the beneficiary's bank.
II	Issuer of invoice (3028) Party issuing an invoice.
IM	Importer (3020) Party who makes - or on whose behalf a Customs clearing agent or other authorized person makes - an import declaration. This may include a person who has possession of the goods or to whom the goods are consigned.
IN	Insurer A person or company offering insurance policies for premiums.
IPA	Party information party (GS1 Temporary Code) The party in a company who is responsible for the party information. The PARTIN message may be requested from or sent by this party.
IPD	Article information party (GS1 Temporary Code) The party in a company who is responsible for the pricing or other article information. The PRICAT or PRODAT messages may be requested from or sent by this party. GS1 Note: Code marked for deletion. Use value DFZ instead.
IPR	Price information party (GS1 Temporary Code) The party in a company who is responsible for the price information. The PRICAT message may be requested from or sent by this party. GS1 Note: Code marked for deletion. Use value DGA instead.
ITO	Invoice recipient party (GS1 Temporary Code) Party to whom the invoice is sent and who processes the invoice on behalf of the invoicee. Note, the invoicee is legally responsible for the invoice and can be different to the processing party. GS1 Note: Code marked for deletion. Use value DGB instead.
IV	Invoicee (3006) Party to whom an invoice is issued.

Used Codes

JB	<p>Goods collection party Party that will collect or has collected the goods. GS1 Description: Party that will collect or has collected the goods.</p>
LC	<p>Party declaring the Value Added Tax (VAT) A code to identify the party who is responsible for declaring the Value Added Tax (VAT) on the sale of goods or services.</p>
LD	<p>Party recovering the Value Added Tax (VAT) A code to identify the party who is eligible to recover the Value Added Tax (VAT) on the sale of goods or services.</p>
LF	<p>Buyer's corporate office The identification of the buyer's corporate office.</p>
LG	<p>Supplier's corporate office The identification of the supplier's corporate office.</p>
LP	<p>Loading party Party responsible for the loading when other than carrier.</p>
LSP	<p>Logistic Service Provider (GS1 Temporary Code) A party providing logistic services for another party (e.g re-packing suppliers products) on products which may lead to added value for the product. GS1 Note: Code marked for deletion. Use value DGC instead.</p>
MA	<p>Party for whom item is ultimately intended Party for whom item is ultimately intended.</p>
MF	<p>Manufacturer of goods Party who manufactures the goods.</p>
MP	<p>Manufacturing plant Self explanatory. GS1 Description: Industrial department of a company in which goods are manufactured with appropriate equipment and fittings.</p>
MR	<p>Message recipient A party to receive a message or messages.</p>
MS	<p>Document/message issuer/sender Issuer of a document and/or sender of a message.</p>
N1	<p>Notify party no. 1 The first party which is to be notified.</p>
N2	<p>Notify party no. 2 The second party which is to be notified.</p>
NFP	<p>No function priority allocated (GS1 Temporary Code) Code indicating that the party identified is capable of carrying out all or most functions within the party.</p>

Used Codes

NI	Notify party (3180) Party to be notified of arrival of goods.
OB	Ordered by Party who issued an order. GS1 Description: Party who issued an order for goods and services.
OR	Ordered bank Identifies the account servicer for the ordering customer or payor.
OS	Original shipper The original supplier of the goods.
OV	Owner of means of transport (3126) Party owning the means of transport. No synonym of carrier = CA.
OY	Ordering customer Identifies the originator of the instruction. GS1 Description: Only used in financial messages.
P1	Contact party 1 First party to contact.
P2	Contact party 2 Second party to contact.
PB	Paying financial institution Financial institution designated to make payment.
PE	Payee Identifies the credit party when other than the beneficiary.
PF	Party to receive freight bill Party to whom the freight bill should be sent.
PL	Payor Identifies the debit party when other than the ordering customer (for banking purposes).
PO	Ordering party To be used only if ordering party and buyer are not identical.
PR	Payer (3308) Party initiating payment.
PW	Despatch party (3282) Party where goods are collected or taken over by the carrier (i.e. if other than consignor).
PX	Party to receive all documents A party which is named to be the recipient of all documents.

Used Codes

PY	<p>Checking party</p> <p>Party or contact designated on behalf of carrier or his agent to establish the actual figures for quantities, weight, volume and/or (cube) measurements of goods or containers which are to appear in the transport contract and on which charges will be based.</p>
RA	<p>Central bank or regulatory authority</p> <p>Identifies central bank or regulatory authority which must be informed of certain aspects of a message.</p>
RB	<p>Receiving financial institution</p> <p>Financial institution designated to receive payment.</p>
RE	<p>Party to receive commercial invoice remittance</p> <p>Party to whom payment for a commercial invoice or bill should be remitted.</p>
RH	<p>Seller's financial institution</p> <p>Financial institution designated by seller to receive payment. RDFI (ACH transfers).</p>
RV	<p>Receiver of cheque</p> <p>Identifies the party which is to receive the actual cheque, when different from the receiver of funds.</p>
SA	<p>Sales person number (GS1 Temporary Code)</p> <p>The identification of a sales person number. GS1 Note: Code marked for deletion. Use value SE instead.</p>
SE	<p>Seller</p> <p>(3346) Party selling merchandise to a buyer. GS1 Note: Replaces GS1 Temporary Code SA.</p>
SF	<p>Ship from</p> <p>Identification of the party from where goods will be or have been shipped.</p>
SN	<p>Store number</p> <p>A party keeping a shop or store. GS1 Description: Number allocated to identify a store.</p>
SR	<p>Supplier's agent/representative</p> <p>(3254) Party representing the seller for the purpose of the trade transaction. GS1 Description: Party representing the supplier for the purpose of the trade transaction.</p>
SS	<p>Social securities collector's office</p> <p>Party collecting social securities premiums.</p>
ST	<p>Ship to</p> <p>Identification of the party to where goods will be or have been shipped.</p>

Used Codes

SU	Supplier Party who supplies goods and/or services. GS1 Description: Party which provides service(s) and/or manufactures or otherwise has possession of goods, and consigns or makes them available in trade.
TC	Tax collector's office Party collecting taxes.
TPE	Testing party (GS1 Temporary Code) A party authorized to carry out a specified test.
TS	Party to receive certified test results Party to whom the certified test results should be sent.
UC	Ultimate consignee Party who has been designated on the invoice or packing list as the final recipient of the stated merchandise.
UD	Ultimate customer The final recipient of goods.
WH	Warehouse keeper (3022) Party taking responsibility for goods entered into a warehouse.
WS	Wholesaler Seller of articles, often in large quantities, to be retailed by others.
X47	Cash register number (GS1 Temporary Code) Number allocated to identify a cash register.
X48	Corporate identity (GS1 Temporary Code) The identity of party to whom all other parties of the same commercial organisation are linked.
X50	Mincing plant (GS1 Temporary Code) A place where the meat of animals is cut into very small pieces using a meat grinder. GS1 Note: Code marked for deletion.
X51	Fattener (GS1 Temporary Code) Party which fattens the animal. GS1 Note: Code marked for deletion. Use value DGD instead.
X52	Breeder (GS1 Temporary Code) Party which breeds the animal. GS1 Note: Code marked for deletion. Use value DGE instead.
X53	Content Owner (GS1 Temporary Code) Not available. GS1 Note: Code marked for deletion.
X54	Temperature variation (GS1 Temporary Code) Temperature variation upward or downward

Used Codes

X56	No / missing loading space (GS1 Temporary Code) The goods/consignment/equipment could not be loaded because of no/missing loading space.
ZZZ	Mutually defined Party specification mutually agreed between interchanging parties.
3045	Party name format code Code specifying the representation of a party name.
1	Name components in sequence as defined in description below Name component 1: Family name. Name component 2: Given name or initials. Name component 3: Given name or initials. Name component 4: Maiden name. Name component 5: Title Group of name components transmitted in sequence with name component 1 transmitted first. The maiden name is the family name given at birth of a female. Other names are self-explanatory.
3055	Code list responsible agency code Code specifying the agency responsible for a code list.
2	CEC (Commission of the European Communities) Generic: see also 140, 141, 142, 162. GS1 Description: Commission of the European Communities
3	IATA (International Air Transport Association) The airline industry's international organisation. GS1 Description: International Air Transport Association
5	ISO (International Organization for Standardization) International Organization of Standardization.
6	UN/ECE (United Nations - Economic Commission for Europe) United Nations Economic Commission for Europe.
7	CEFIC (Conseil Europeen des Federations de l'Industrie Chimique) EDI project for chemical industry.
8	EDIFICE Standardised electronic commerce forum for companies with interests in computing, electronics and telecommunications. GS1 Description: EDI Forum for companies with Interest in Computing and Electronics (EDI project for EDP/ADP sector).
9	GS1 GS1 (formerly EAN International), an organisation of GS1 Member Organisations, which manages the GS1 System. GS1 Description: GS1 International.

Used Codes

10	ODETTE Organization for Data Exchange through Tele-Transmission in Europe (European automotive industry project).
17	S.W.I.F.T. Society for Worldwide Interbank Financial Telecommunications s.c.
28	EDITEUR (European book sector electronic data interchange group) Code identifying the pan European user group for the book industry as an organisation responsible for code values in the book industry.
60	Assigned by national trade agency The code list is from a national agency.
65	GS1 France Organisation responsible for GS1 System in France.
68	GS1 Italy Organisation responsible for GS1 System in Italy.
83	US, National Retail Federation The National Retail Federation is the trade association for the general merchandise retailing industry. In addition to providing support and education services, they also maintain and publish standard colour and size codes for the retail industry.
84	DE, BRD (Gesetzgeber der Bundesrepublik Deutschland) German legislature.
86	Assigned by party originating the message Codes assigned by the party originating the message.
87	Assigned by carrier Codes assigned by the carrier.
88	Assigned by owner of operation Assigned by owner of operation (e.g. used in construction).
89	Assigned by distributor Codes assigned by a distributor.
90	Assigned by manufacturer Code assigned by the manufacturer.
91	Assigned by supplier or supplier's agent Codes assigned by a seller or seller's agent. GS1 Description: Code assigned by the supplier or supplier's agent.
92	Assigned by buyer or buyer's agent Codes assigned by a buyer or buyer's agent.
112	US, U.S. Census Bureau The Bureau of the Census of the U.S. Dept. of Commerce.

Used Codes

113	GS1 US Organisation responsible for GS1 System in the USA.
116	US, ANSI ASC X12 American National Standards Institute ASC X12.
131	DE, German Bankers Association German Bankers' Association.
136	GS1 UK Organisation responsible for GS1 System in the UK.
137	AT, Verband oesterreichischer Banken und Bankiers Austrian bankers association.
174	DE, DIN (Deutsches Institut fuer Normung) German standardization institute.
182	US, Standard Carrier Alpha Code (Motor) Organisation maintaining the SCAC lists and transportation operating in North America.
194	AU, AQIS (Australian Quarantine and Inspection Service) Australian Quarantine and Inspection Service.
200	GS1 Netherlands Organisation responsible for GS1 System in the Netherlands.
245	GS1 Denmark Organisation responsible for GS1 System in Denmark.
246	GS1 Germany Organisation responsible for GS1 System in Germany. GS1 Description: German representative of International Article Numbering association (GS1).
260	Ediel Nordic forum A code to identify Ediel Nordic forum, which is an organization standardizing the use of EDI between the participants in the Nordic power market.
281	GS1 Belgium & Luxembourg Organisation responsible for GS1 System in Belgium & Luxembourg.
286	SE, TCO (Tjänstemännen Central Organisation) The Swedish Confederation of Professional Employees.
294	GS1 Austria Organisation responsible for the GS1 System in Austria.
295	AU, Therapeutic Goods Administration Austrialian administration responsible for the regulation of therapeutic goods in Australia. EDIFACT

Used Codes

297	IT, Ufficio IVA Ufficio responsabile gestione partite IVA, Italy (Italian Institute issuing VAT registration numbers). EDIFACT
298	GS1 Spain Organisation responsible for the GS1 System in Spain.
316	GS1 Finland Organisation responsible for the GS1 system in Finland.
317	GS1 Brazil Organisation responsible for the GS1 system in Brazil.
324	GS1 Ireland Organisation responsible for the GS1 system in Ireland.
325	GS1 Russia Organisation responsible for the GS1 system in Russia.
326	GS1 Poland Organisation responsible for the GS1 system in Poland.
327	GS1 Estonia Organisation responsible for the GS1 system in Estonia.
376	PANTONE Color code controlling organisation
400	FAO (Food and Agriculture Organisation) Food and Agriculture Organisation of the United Nations.
403	Comite Europeen de Normalisation Comite Européen de Normalisation (CEN), European committee for standardisation. GS1 Note: Replaces GS1 Temporary Code CEN.
404	Assigned by logistics service provider Codes assigned by a logistics service provider. GS1 Note: Replaces GS1 Temporary Code X6.
CEN	Comite European de Normalisation (GS1 Temporary Code) Comite European de Normalisation. GS1 Note: Code marked for deletion. Use value 403 instead.
PMS	Pantone Matching System (GS1 Temporary Code) Pantone Matching System.
RAL	DE, Deutsches Institut fuer Guetesicherung und Kennzeichnung (GS1 Temporary Code) German Institute for Quality Assurance and Certification.

Used Codes

X5	IT, Ufficio IVA (GS1 Temporary Code) Ufficio responsabile gestione partite IVA, Italy (Italian Institute issuing VAT registration numbers).
X6	Assigned by logistics service provider (GS1 Temporary Code) Codes assigned by the logistics service provider. GS1 Note: Code marked for deletion. Use value 404 instead.
ZZZ	Mutually defined A code assigned within a code list to be used on an interim basis and as defined among trading partners until a precise code can be assigned to the code list.
3139	Contact function code Code specifying the function of a contact (e.g. department or person).
AA	Insurance contact Department/person to contact for matters regarding insurance.
AD	Accounting contact The contact responsible for accounting matters.
AE	Contract contact Department/person to contact for matters regarding contracts.
AM	Claims contact Department/person to contact for matters regarding claims.
AP	Accounts payable contact Department/person responsible for the accounts payable function within a corporation.
AR	Accounts receivable contact Department/person responsible for the accounts receivable within a corporation.
BC	Banking contact Contact person for bank.
BJ	Department or person responsible for processing purchase order Identification of the department or person responsible for the processing of purchase orders.
BN	Certification contact Code specifying a contact with knowledge of a certification action.
BO	After business hours contact Department/person to contact after normal working hours.
BR	Cook Person responsible for cooking. GS1 Note: Replaces GS1 Temporary Code CKE.

Used Codes

CB	Changed by Person who made the change.
CKE	Cook (GS1 Temporary Code) Person responsible for cooking. GS1 Note: Code marked for deletion. Use value BR instead.
CN	Consignee (3132) Party to which goods are consigned.
CO	Consignor (3336) Party which, by contract with a carrier, consigns or sends goods with the carrier, or has them conveyed by him. Synonym: shipper/sender.
CP	Responsible person for computer data processing Responsible person to contact for matters regarding computer data processing.
CR	Customer relations Individual responsible for customer relations.
DE	Department/employee to execute export procedures Department/employee which/who executes export procedures.
DI	Department/employee to execute import procedures Department/employee which/who executes import procedures.
DL	Delivery contact Department/person responsible for delivery.
ED	Engineering contact Department/person to contact for matters regarding engineering.
GR	Goods receiving contact Department/person responsible for receiving the goods at the place of delivery.
HE	Emergency dangerous goods contact Party who is to be contacted to intervene in case of emergency.
HG	Dangerous goods contact Department/person to be contacted for details about the transportation of dangerous goods/hazardous material.
IC	Information contact Department/person to contact for questions regarding transactions.
LO	Place of collection contact Department/employee to be contacted at the place of collection.
MGR	Manager (GS1 Temporary Code) Person responsible for management within a department or company.
NT	Notification contact Department/employee to be notified.

Used Codes

OC	Order contact An individual to contact for questions regarding this order.
PD	Purchasing contact Department/person responsible for issuing this purchase order.
PM	Product management contact Department/person to contact for questions regarding this order.
QC	Quality coordinator contact Quality coordinator contact within an organization.
SA	Sales administration Name of the sales administration contact within a corporation.
SD	Shipping contact The shipping department contact within an organization.
SR	Sales representative or department The sales representative or department contact within an organization.
TA	Traffic administrator The traffic administrator contact within an organization.
TD	Test contact Department/person responsible for testing contact.
TR	Transport contact Department/person in charge of transportation.
WH	Warehouse The warehouse contact within an organization.
3155	Communication address code qualifier Code qualifying the communication address.
AL	Cellular phone Identifies the cellular phone number.
AO	Uniform Resource Location (URL) Identification of the Uniform Resource Location (URL) Synonym: World wide web address. EDIFACT
AQ	X.400 address for mail text The X.400 address accepting information in the body text of a message.
AR	AS1 address Address capable of receiving messages in accordance with the EDIINT/AS1 protocol for MIME based EDI .

Used Codes

AS	AS2 address Address capable of receiving messages in accordance with the EDIINT/AS2 protocol.
AT	AS3 address Address capable of receiving messages in accordance with the EDIINT/AS3 protocol.
AU	File Transfer Protocol Address capable for receiving message in accordance with the File Transfer Protocol (IETF RFC 959 et. al.).
CA	Cable address The communication number identifies a cable address.
EI	EDI Number identifying the service and service user.
EM	Electronic mail Exchange of mail by electronic means. GS1 Description: Creating/sending/receiving of unstructured free text messages or documents using computer network, a mini-computer or an attached modem and regular telephone line or other electronic transmission media.
EXI	Exite mail (GS1 Temporary Code) Requests that the file shall be returned via Exite. GS1 Note: Code marked for deletion.
FX	Fax Device used for transmitting and reproducing fixed graphic material (as printing) by means of signals over telephone lines or other electronic transmission media.
IA	Interchange address (GS1 Temporary Code) Code identifying an EDI interchange address.
TE	Telephone Voice/data transmission by telephone.
TL	Telex Transmission of text/data via telex.
XF	X.400 The X.400 address. GS1 Description: CCITT Message handling system.
XG	Pager Identifies that the communication number is for a pager.

Used Codes**3207**

Country name code

| Identification of the name of the country or other geographical entity as defined in ISO 3166-1.

Notes:

| 1. Use ISO 3166-1 two alpha country code.

AD	Andorra
AE	United Arab Emirates
AF	Afghanistan
AG	Antigua and Barbuda
AI	Anguilla
AL	Albania
AM	Armenia
AO	Angola
AQ	Antarctica
AR	Argentina
AS	American Samoa
AT	Austria
AU	Australia
AW	Aruba
AX	Åland Islands
AZ	Azerbaijan
BA	Bosnia and Herzegovina
BB	Barbados
BD	Bangladesh
BE	Belgium
BF	Burkina Faso
BG	Bulgaria
BH	Bahrain
BI	Burundi
BJ	Benin
BL	Saint Barthélemy
BM	Bermuda
BN	Brunei Darussalam
BO	Bolivia (Plurinational State of)

Used Codes

BQ	Bonaire, Sint Eustatius and Saba
BR	Brazil
BS	Bahamas
BT	Bhutan
BV	Bouvet Island
BW	Botswana
BY	Belarus
BZ	Belize
CA	Canada
CC	Cocos (Keeling) Islands
CD	Congo, Democratic Republic of
CF	Central African Republic
CG	Congo
CH	Switzerland
CI	Cote D'Ivoire
CK	Cook Islands
CL	Chile
CM	Cameroon
CN	China
CO	Colombia
CR	Costa Rica
CU	Cuba
CV	Cape Verde
CW	Curaçao
CX	Christmas Island
CY	Cyprus
CZ	Czechia
DE	Germany
DJ	Djibouti
DK	Denmark
DM	Dominica
DO	Dominican Republic
DZ	Algeria

Used Codes

EC	Ecuador
EE	Estonia
EG	Egypt
EH	Western Sahara
ER	Eritrea
ES	Spain
ET	Ethiopia
FI	Finland
FJ	Fiji
FK	Falkland Islands (Malvinas)
FM	Micronesia (Federated States of)
FO	Faroe Islands
FR	France
GA	Gabon
GB	United Kingdom of Great Britain and Northern Ireland
GD	Grenada
GE	Georgia
GF	French Guiana
GG	Guernsey
GH	Ghana
GI	Gibraltar
GL	Greenland
GM	Gambia
GN	Guinea
GP	Guadeloupe
GQ	Equatorial Guinea
GR	Greece
GS	South Georgia and the South Sandwich Islands
GT	Guatemala
GU	Guam
GW	Guinea-Bissau
GY	Guyana
HK	Hong Kong

Used Codes

HM	Heard Island and Mcdonald Islands
HN	Honduras
HR	Croatia
HT	Haiti
HU	Hungary
ID	Indonesia
IE	Ireland
IL	Israel
IM	Isle Of Man
IN	India
IO	British Indian Ocean Territory
IQ	Iraq
IR	Iran (Islamic Republic of)
IS	Iceland
IT	Italy
JE	Jersey
JM	Jamaica
JO	Jordan
JP	Japan
KE	Kenya
KG	Kyrgyzstan
KH	Cambodia
KI	Kiribati
KM	Comoros
KN	Saint Kitts and Nevis
KP	Korea (Democratic People'S Republic of)
KR	Korea, Republic of
KW	Kuwait
KY	Cayman Islands
KZ	Kazakhstan
LA	Lao People'S Democratic Republic
LB	Lebanon
LC	Saint Lucia

Used Codes

LI	Liechtenstein
LK	Sri Lanka
LR	Liberia
LS	Lesotho
LT	Lithuania
LU	Luxembourg
LV	Latvia
LY	Libya
MA	Morocco
MC	Monaco
MD	Moldova, Republic of
ME	Montenegro
MF	Saint Martin (French Part)
MG	Madagascar
MH	Marshall Islands
MK	Macedonia, the Former Yugoslav Republic of
ML	Mali
MM	Myanmar
MN	Mongolia
MO	Macao
MP	Northern Mariana Islands
MQ	Martinique
MR	Mauritania
MS	Montserrat
MT	Malta
MU	Mauritius
MV	Maldives
MW	Malawi
MX	Mexico
MY	Malaysia
MZ	Mozambique
NA	Namibia
NC	New Caledonia

Used Codes

NE	Niger
NF	Norfolk Island
NG	Nigeria
NI	Nicaragua
NL	Netherlands
NO	Norway
NP	Nepal
NR	Nauru
NU	Niue
NZ	New Zealand
OM	Oman
PA	Panama
PE	Peru
PF	French Polynesia
PG	Papua New Guinea
PH	Philippines
PK	Pakistan
PL	Poland
PM	Saint Pierre and Miquelon
PN	Pitcairn
PR	Puerto Rico
PS	Palestine, State of
PT	Portugal
PW	Palau
PY	Paraguay
QA	Qatar
RE	Reunion
RO	Romania
RS	Serbia
RU	Russian Federation
RW	Rwanda
SA	Saudi Arabia
SB	Solomon Islands

Used Codes

SC	Seychelles
SD	Sudan
SE	Sweden
SG	Singapore
SH	Saint Helena, Ascension and Tristan da Cunha
SI	Slovenia
SJ	Svalbard and Jan Mayen
SK	Slovakia
SL	Sierra Leone
SM	San Marino
SN	Senegal
SO	Somalia
SR	Suriname
SS	South Sudan
ST	Sao Tome and Principe
SV	El Salvador
SX	Sint Maarten (Dutch part)
SY	Syrian Arab Republic
SZ	Swaziland
TC	Turks and Caicos Islands
TD	Chad
TF	French Southern Territories
TG	Togo
TH	Thailand
TJ	Tajikistan
TK	Tokelau
TL	Timor-Leste
TM	Turkmenistan
TN	Tunisia
TO	Tonga
TR	Turkey
TT	Trinidad and Tobago
TV	Tuvalu

Used Codes

TW	Taiwan, Province of China
TZ	Tanzania, United Republic of
UA	Ukraine
UG	Uganda
UM	United States Minor Outlying Islands
US	United States of America
UY	Uruguay
UZ	Uzbekistan
VA	Holy See
VC	Saint Vincent and the Grenadines
VE	Venezuela (Bolivarian Republic of)
VG	Virgin Islands, British
VI	Virgin Islands, U.S.
VN	Viet Nam
VU	Vanuatu
WF	Wallis and Futuna
WS	Samoa
YE	Yemen
YT	Mayotte
ZA	South Africa
ZM	Zambia
ZW	Zimbabwe

3433

Institution name code
Code specifying the name of an institution.

BK

Bank (GS1 Permanent Code)
The financial institution being identified is a bank.

PO

Post office (GS1 Permanent Code)
The financial institution being identified is a post office.

3453

Language name code
Code specifying the language name.

Notes:
1. Use ISO 639-1988.

AA

Afar

Used Codes

aa	Afar
AB	Abkhazian
ab	Abkhazian
AE	Avestan
ae	Avestan
AF	Afrikaans
af	Afrikaans
AK	Akan
ak	Akan
AM	Amharic
am	Amharic
AN	Aragonese
an	Aragonese
AR	Arabic
ar	Arabic
AS	Assamese
as	Assamese
AV	Avaric
av	Avaric
AY	Aymara
ay	Aymara
AZ	Azerbaijani
az	Azerbaijani
BA	Bashkir
ba	Bashkir
BE	Belarusian
be	Belarusian
BG	Bulgarian
bg	Bulgarian
BH	Bihari
bh	Bihari
BI	Bislama
bi	Bislama

Used Codes

BM	Bambara
bm	Bambara
BN	Bengali
bn	Bengali
BO	Tibetan
bo	Tibetan
BR	Breton
br	Breton
BS	Bosnian
bs	Bosnian
CA	Catalan; Valencian
ca	Catalan; Valencian
CE	Chechen
ce	Chechen
CH	Chamorro
ch	Chamorro
CO	Corsican
co	Corsican
CR	Cree
cr	Cree
CS	Czech
cs	Czech
CU	Church Slavic; Old Slavonic; Church Slavonic; Old Bulgarian; Old Church Slavonic
cu	Church Slavic; Old Slavonic; Church Slavonic; Old Bulgarian; Old Church Slavonic
CV	Chuvash
cv	Chuvash
CY	Welsh
cy	Welsh
DA	Danish
da	Danish
DE	German
de	German

Used Codes

DV	Divehi; Dhivehi; Maldivian
dv	Divehi; Dhivehi; Maldivian
DZ	Dzongkha
dz	Dzongkha
EE	Ewe
ee	Ewe
EL	Greek; Modern (1453-)
el	Greek; Modern (1453-)
EN	English
en	English
EO	Esperanto
eo	Esperanto
ES	Spanish; Castilian
es	Spanish; Castilian
ET	Estonian
et	Estonian
EU	Basque
eu	Basque
FA	Persian
fa	Persian
FF	Fulah
ff	Fulah
FI	Finnish
fi	Finnish
FJ	Fijian
fj	Fijian
FO	Faroese
fo	Faroese
FR	French
fr	French
FY	Western Frisian
fy	Western Frisian
GA	Irish

Used Codes

ga	Irish
GD	Gaelic; Scottish Gaelic
gd	Gaelic; Scottish Gaelic
GL	Galician
gl	Galician
GN	Guarani
gn	Guarani
GU	Gujarati
gu	Gujarati
GV	Manx
gv	Manx
HA	Hausa
ha	Hausa
HE	Hebrew
he	Hebrew
HI	Hindi
hi	Hindi
HO	Hiri Motu
ho	Hiri Motu
HR	Croatian
hr	Croatian
HT	Haitian; Haitian Creole
ht	Haitian; Haitian Creole
HU	Hungarian
hu	Hungarian
HY	Armenian
hy	Armenian
HZ	Herero
hz	Herero
IA	Interlingua (International Auxiliary Language Association)
ia	Interlingua (International Auxiliary Language Association)
ID	Indonesian
id	Indonesian

Used Codes

IE	Interlingue
ie	Interlingue
IG	Igbo
ig	Igbo
II	Sichuan Yi
ii	Sichuan Yi
IK	Inupiaq
ik	Inupiaq
IO	Ido
io	Ido
IS	Icelandic
is	Icelandic
IT	Italian
it	Italian
IU	Inuktitut
iu	Inuktitut
JA	Japanese
ja	Japanese
JV	Javanese
jv	Javanese
KA	Georgian
ka	Georgian
KG	Kongo
kg	Kongo
KI	Kikuyu; Gikuyu
ki	Kikuyu; Gikuyu
KJ	Kuanyama; Kwanyama
kj	Kuanyama; Kwanyama
KK	Kazakh
kk	Kazakh
KL	Kalaallisut; Greenlandic
kl	Kalaallisut; Greenlandic
KM	Central Khmer

Used Codes

km	Central Khmer
KN	Kannada
kn	Kannada
KO	Korean
ko	Korean
KR	Kanuri
kr	Kanuri
KS	Kashmiri
ks	Kashmiri
KU	Kurdish
ku	Kurdish
KV	Komi
kv	Komi
KW	Cornish
kw	Cornish
KY	Kirghiz; Kyrgyz
ky	Kirghiz; Kyrgyz
LA	Latin
la	Latin
LB	Luxembourgish; Letzeburgesch
lb	Luxembourgish; Letzeburgesch
LG	Ganda
lg	Ganda
LI	Limburgan; Limburger; Limburgish
li	Limburgan; Limburger; Limburgish
LN	Lingala
ln	Lingala
LO	Lao
lo	Lao
LT	Lithuanian
lt	Lithuanian
LU	Luba-Katanga
lu	Luba-Katanga

Used Codes

LV	Latvian
lv	Latvian
MG	Malagasy
mg	Malagasy
MH	Marshallese
mh	Marshallese
MI	Maori
mi	Maori
MK	Macedonian
mk	Macedonian
ML	Malayalam
ml	Malayalam
MN	Mongolian
mn	Mongolian
MO	Moldavian; Moldovan
mo	Moldavian; Moldovan
MR	Marathi
mr	Marathi
MS	Malay
ms	Malay
MT	Maltese
mt	Maltese
MY	Burmese
my	Burmese
NA	Nauru
na	Nauru
NB	Bokmal Norwegian; Norwegian Bokmal
nb	Bokmal Norwegian; Norwegian Bokmal
ND	Ndebele; North; North Ndebele
nd	Ndebele; North; North Ndebele
NE	Nepali
ne	Nepali
NG	Ndonga

Used Codes

ng	Ndonga
NL	Dutch; Flemish
nl	Dutch; Flemish
NN	Norwegian Nynorsk; Nynorsk, Norwegian
nn	Norwegian Nynorsk; Nynorsk, Norwegian
NO	Norwegian
no	Norwegian
NR	Ndebele; South; South Ndebele
nr	Ndebele; South; South Ndebele
NV	Navajo; Navaho
nv	Navajo; Navaho
NY	Chichewa; Chewa; Nyanja
ny	Chichewa; Chewa; Nyanja
OC	Occitan (post 1500); Provencal
oc	Occitan (post 1500); Provencal
OJ	Ojibwa
oj	Ojibwa
OM	Oromo
om	Oromo
OR	Oriya
or	Oriya
OS	Ossetian; Ossetic
os	Ossetian; Ossetic
PA	Panjabi; Punjabi
pa	Panjabi; Punjabi
PI	Pali
pi	Pali
PL	Polish
pl	Polish
PS	Pushto; Pashto
ps	Pushto; Pashto
PT	Portuguese
pt	Portuguese

Used Codes

QU	Quechua
qu	Quechua
RM	Romansh
rm	Romansh
RN	Rundi
rn	Rundi
RO	Romanian
ro	Romanian
RU	Russian
ru	Russian
RW	Kinyarwanda
rw	Kinyarwanda
SA	Sanskrit
sa	Sanskrit
SC	Sardinian
sc	Sardinian
SD	Sindhi
sd	Sindhi
SE	Northern Sami
se	Northern Sami
SG	Sango
sg	Sango
SI	Sinhala; Sinhalese
si	Sinhala; Sinhalese
SK	Slovak
sk	Slovak
SL	Slovenian
sl	Slovenian
SM	Samoan
sm	Samoan
SN	Shona
sn	Shona
SO	Somali

Used Codes

so	Somali
SQ	Albanian
sq	Albanian
SR	Serbian
sr	Serbian
SS	Swati
ss	Swati
ST	Sotho, Southern
st	Sotho, Southern
SU	Sundanese
su	Sundanese
SV	Swedish
sv	Swedish
SW	Swahili
sw	Swahili
TA	Tamil
ta	Tamil
TE	Telugu
te	Telugu
TG	Tajik
tg	Tajik
TH	Thai
th	Thai
TI	Tigrinya
ti	Tigrinya
TK	Turkmen
tk	Turkmen
TL	Tagalog
tl	Tagalog
TN	Tswana
tn	Tswana
TO	Tonga (Tonga Islands)
to	Tonga (Tonga Islands)

Used Codes

TR	Turkish
tr	Turkish
TS	Tsonga
ts	Tsonga
TT	Tatar
tt	Tatar
TW	Twi
tw	Twi
TY	Tahitian
ty	Tahitian
UG	Uighur; Uyghur
ug	Uighur; Uyghur
UK	Ukrainian
uk	Ukrainian
UR	Urdu
ur	Urdu
UZ	Uzbek
uz	Uzbek
VE	Venda
ve	Venda
VI	Vietnamese
vi	Vietnamese
VO	Volapük
vo	Volapük
WA	Walloon
wa	Walloon
WO	Wolof
wo	Wolof
XH	Xhosa
xh	Xhosa
YI	Yiddish
yi	Yiddish
YO	Yoruba

Used Codes

yo	Yoruba
ZA	Zhuang; Chuang
za	Zhuang; Chuang
ZH	Chinese
zh	Chinese
ZU	Zulu
zu	Zulu
4279	Payment terms type code qualifier Code qualifying the type of payment terms.
1	Basic Payment conditions normally applied.
2	End of month Payments are due at end of month. GS1 Description: Payment terms are at the end of the current month.
3	Fixed date Payments are due on the fixed date specified.
4	Deferred Payments are deferred beyond the normal due date.
5	Discount not applicable Payment terms on which discounts are not applicable. GS1 Description: Discount is not applicable to the payment terms.
6	Mixed Different payment terms negotiated under a documentary credit.
7	Extended Payment is extended beyond the normal due date.
8	Basic discount offered Payment terms reflect the basic offered discount.
9	Proximo Occurring in the next month after present.
10	Instant Payment is due on receipt of invoice.
11	Elective Payment terms to be chosen by buyer (from options separately advised).
12	10 days after end of month Payment due ten days after end of a calendar month.

Used Codes

18	Previously agreed upon Payment terms have been previously agreed upon.
20	Penalty terms Payment terms on which penalties apply. GS1 Description: Penalty terms applied when payer exceeds normal payment terms.
21	Payment by instalment Payment terms are based on instalment payments.
22	Discount Payment terms on which discounts are applicable. GS1 Description: Payment conditions related to discounts for advanced payments.
37	Complete payment Payment must be made for complete value and may not be paid in instalments. EDIFACT
75	Lump sum The payment term requires a lump sum payment.
X10	Discount after deducting freight (GS1 Temporary Code) GS1 Note: Code marked for deletion.
X11	Valuta (GS1 Temporary Code) GS1 Note: Code marked for deletion.
ZZZ	Mutually defined A code assigned within a code list to be used on an interim basis and as defined among trading partners until a precise code can be assigned to the code list.
4431	Payment guarantee means code Code specifying the means of payment guarantee.
10	Bank guarantee A bank has agreed to stand as guarantor to ensure that payment is made.
11	Public authority guarantee A public authority has agreed to stand as guarantor to ensure that payment is made.
12	Third party guarantee The party who has agreed to stand as guarantor to ensure that payment is made is neither the payee nor the payor.
13	Standby letter of credit The guarantee of payment is in the form of a standby letter of credit.

Used Codes

14	No guarantee No guarantee of payment has been made or is available.
20	Goods as security The payor has provided possession of, or title in goods, as security against payment. GS1 Description: Title to the goods is retained by the supplier until payment is received.
21	Business as security The payor has provided title in, or a lien over a business whose assets may be sold or sequestered, as security against payment. GS1 Description: Business provided as security.
23	Warrant or similar (warehouse receipts) The payor has provided a warrant or warehouse receipts for goods or property to be held or used as security against payment. GS1 Description: Warrent or similar provided as security.
41	Book guarantee/book bond Self explanatory. GS1 Description: Book guarantee/book bond provided as security.
44	Group guarantee Self explanatory. Notes: This code value will be removed effective with directory D.04B. GS1 Description: Group guarantee provided as security.
45	Insurance certificate A certificate of insurance has been provided as a guarantee of eventual payment.
4435	Payment channel code Code specifying the payment channel.
1	Ordinary post The payment shall be/has been made via ordinary post.
2	Air mail The payment shall be/has been made via air mail.
3	Telegraph The payment shall be/has been made via telegraph.
4	Telex The payment shall be/has been made via telex.

Used Codes

5	S.W.I.F.T. Society for Worldwide Interbank Financial Telecommunications s.c.
6	Other transmission networks The payment shall be/has been made via other transmission networks.
7	Networks not defined The payment shall be/has been made via not defined networks.
8	Fedwire The payment shall be/has been made via Fedwire.
9	Personal (face-to-face) Indicates that payment should be made by the bank to the beneficiary or his identified agent, in person.
10	Registered air mail The payment shall be/has been made via registered air mail.
11	Registered mail The payment shall be/has been made via registered mail.
14	National ACH Nation wide clearing house for automated payment.
62	Set-off by reciprocal credits (GS1 Temporary Code) GS1 Note: Code marked for deletion. Use DE 4461 value 97 instead.
4439	Payment conditions code Code specifying the payment conditions.
1	Direct payment An assigned invoice has been paid by the buyer to the factor.
10	Irrevocable documentary credit Written undertaking by a bank to pay a seller against stipulated documents that cannot be amended or cancelled without the consent of all parties involved. GS1 Description: Payment is made using an irrevocable documentary credit.
15	Irrevocable letter of credit-confirmed Letter of credit that cannot be cancelled or amended without agreement by all the parties involved, and carries the endorsement of both the issuing bank and its correspondent, guaranteeing payment of all drafts written against. GS1 Description: Payment is made using an irrevocable letter of credit confirmed.
17	Revocable letter of credit Letter of credit that can be cancelled or amended at any time by the issuing bank. GS1 Description: Payment is made using an revocable letter of credit.

Used Codes

19	Irrevocable letter of credit unconfirmed Letter of credit that cannot be cancelled or amended before a specific date without agreement by all the parties involved, and carries no guarantee that a correspondent will honour drafts presented for payment. GS1 Description: Payment is made using an irrevocable letter of credit unconfirmed.
30	Other collection Self explanatory. Notes: This code value will be removed effective with directory D.04B.
34	Seller to advise buyer Payment conditions to be advised by the seller to the buyer.
35	Documents through banks Also known as 'documents against presentation', the documents are sent to a bank, and the buyer obtains the documents by paying the invoice amount to the bank. GS1 Description: Payment is made using documents passed through the banks.
65	Reverse factoring Condition of payment to suppliers in which a third party (for example, a bank) manages the payments that one company has to make to its suppliers.
OA	Open account (GS1 Temporary Code) Open account payment terms.
4441	Free text value code Code specifying free form text.
78E	Proof Of Delivery (GS1 Permanent Code) The mentioned URL refers to a Proof of Delivery document. This Code value can be used if DE 4451 of the FTX segment is ZXL.
4451	Text subject code qualifier Code qualifying the subject of the text.
1E	Additional product information address (GS1 Temporary Code) Address at which additional information on the product can be found. GS1 Note: Code marked for deletion. Use value BAI instead.
2E	VAT exemption (GS1 Temporary Code) VAT exemption reason in clear text. GS1 Note: Code marked for deletion. Use value BAQ instead.
3E	Tracking URL (GS1 Temporary Code) The internet link (URL) to track the delivery of a specific package or consignment.

Used Codes

AAA	Goods description [7002] Plain language description of the nature of the goods sufficient to identify them at the level required for banking, Customs, statistical or transport purposes, avoiding unnecessary detail (Generic term).
AAB	Terms of payments [4276] Conditions of payment between the parties to a transaction (generic term).
AAC	Dangerous goods additional information Additional information concerning dangerous goods.
AAD	Dangerous goods, technical name Proper shipping name, supplemented as necessary with the correct technical name, by which a dangerous substance or article may be correctly identified or which is sufficiently informative to permit identification by reference to generally available literature.
AAG	Party instructions Indicates that the segment contains instructions to be passed on to the identified party.
AAI	General information The text contains general information.
AAK	Price conditions Information on the price conditions that are expected or given.
AAM	Equipment re-usage restrictions Technical or commercial reasons why a piece of equipment may not be re-used after the current transport terminates.
AAN	Handling restriction Restrictions in handling depending on the technical characteristics of the piece of equipment or on the nature of the goods.
AAO	Error description (free text) Error described by a free text.
AAR	Terms of delivery (4053) Free text of the non Incoterms terms of delivery. For Incoterms, use: 4053.
AAW	Letter of credit information Information pertaining to the letter of credit.
AAZ	Additional export information The text contains additional export information.
ABN	Accounting information Self explanatory. GS1 Description: Free text information regarding account.

Used Codes

ABO	Discrepancy information Free text or coded information to indicate a specific discrepancy.
ABU	Deferred payment termed additional Additional terms concerning deferred payment.
ACB	Additional information The text contains additional information.
ACD	Reason Reason for a request or response.
ACE	Dispute A notice, usually from buyer to seller, that something was found wrong with goods delivered or the services rendered, or with the related invoice.
ACF	Additional attribute information The text refers to information about an additional attribute not otherwise specified.
ACL	Quality Statement Code A statement on the quality of an object.
ADK	Promotion information The text contains information about a promotion.
ADL	Meter condition Description of the condition of a meter.
ADM	Meter reading information Information related to a particular reading of a meter.
ADS	Booked item information (SWIFT Code) Information pertaining to a booked item. GS1 Description: Information related to an item booked onto a financial account.
AEI	Instructions to the applicant Instructions given to the applicant.
AFF	Batch code structure A description of the structure of a batch code.
AFG	Product application A general description of the application of a product.
AGW	Location Description of a location.
AGZ	Marketing activities Information concerning marketing activities.
AIP	Question A free text question.

Used Codes

AIQ	Party information Free text information related to a party.
AIX	Warranty terms Text describing the terms of warranty which apply to a product or service.
ALL	All documents The note implies to all documents.
BAI	Additional product information address Address at which additional information on the product can be found. GS1 Note: Replaces GS1 Temporary Code 1E.
BAJ	Information to be printed on despatch advice Specification of free text information which is to be printed on a despatch advice. GS1 Note: Replaces GS1 Temporary Code DSI.
BAK	Missing goods remarks Remarks concerning missing goods. GS1 Note: Replaces GS1 Temporary Code MIS.
BAL	Non-acceptance information Information related to the non-acceptance of an order, goods or a consignment. GS1 Note: Replaces GS1 Temporary Code NAI.
BAM	Returns information Information related to the return of items. GS1 Note: Replaces GS1 Temporary Code RTI.
BAN	Sub-line item Note contains information related to sub-line item data. GS1 Note: Replaces GS1 Temporary Code SID.
BAO	Test information Information of a test. GS1 Note: Replaces GS1 Temporary Code TIN.
BAP	External link The external link to a digital document (e.g.: URL) GS1 Note: Replaces GS1 Temporary Code ZXL.
BAQ	VAT exemption reason The reason for Value Added Tax exemption. GS1 Note: Replaces GS1 Temporary Code 2E.
BLR	Transport document remarks Remarks concerning the complete consignment to be printed on the bill of lading.
BLV	B2C marketing information, short description Consumer marketing information, short description.

Used Codes

BLW	B2B marketing information, long description Trading partner marketing information, long description.
BLX	B2C marketing information, long description Consumer marketing information, long description.
BLY	Product ingredients Information on the ingredient make up of the product. Information on the constituent ingredient make up of the product specified as one string. Example: FTX+ING+1+ +Tomato puree (54%), water, onions (9%), sunflower seed oil' FTX+ING+1+ +(cold pressed, untempered, unrefined) (10%), corn syrup (2%), soy protein (12%):++EN'
CHG	Change information Note contains change information.
CIP	Customs clearance instruction import Any coded or clear instruction agreed by customer and carrier regarding the import declaration of the goods.
CLR	Loading remarks Instructions concerning the loading of the container.
CUS	Customs declaration information Note contains customs declaration information.
DAR	Damage remarks Remarks concerning damage on the cargo.
DEL	Delivery information Information about delivery.
DIN	Delivery instructions Instructions regarding the delivery of the cargo.
DSI	Information to be printed on despatch advice (GS1 Temporary Code) Specification of free text information which is to be printed on a despatch advice. GS1 Note: Code marked for deletion. Use value BAJ instead.
DUT	Duty declaration The text contains a statement constituting a duty declaration.
GEN	Entire transaction set Note is general in nature, applies to entire transaction segment.
HAN	Handling instructions [4078] Instructions on how specified goods, packages or containers should be handled.

Used Codes

HAZ	Hazard information Information pertaining to a hazard.
IIN	Insurance instructions Instructions regarding the cargo insurance.
INS	Insurance information Specific note contains insurance information.
INV	Invoice instruction Note contains invoice instructions.
ITS	Testing instructions Instructions regarding the testing that is required to be carried out on the items in the transaction.
LIN	Line item Note contains line item information.
LOI	Loading instruction Instructions where specified packages or containers are to be loaded on a means of transport.
MIS	Missing goods remarks (GS1 Temporary Code) Remarks concerning missing goods. GS1 Note: Code marked for deletion. Use value BAK instead.
MKS	Additional marks/numbers information Additional information regarding the marks and numbers.
NAI	Non-acceptance information (GS1 Temporary Code) Information related to the non-acceptance of an order, goods or a consignment. GS1 Note: Code marked for deletion. Use value BAL instead.
ORI	Order instruction Free text contains order instructions.
OSI	Other service information General information created by the sender of general or specific value.
PAC	Packing/marketing information Information regarding the packaging and/or marking of goods.
PAY	Payables information Note contains payables information.
PKG	Packaging information Note contains packaging information. GS1 Description: Note contains packaging instructions.
PMD	Payment detail/remittance information The free text contains payment details.

Used Codes

PMT	Payment information Note contains payments information.
PRD	Product information The text contains product information.
PRF	Price calculation formula Additional information regarding the price formula used for calculating the item price.
PRI	Priority information Note contains priority information.
PUR	Purchasing information Note contains purchasing information.
QQD	Quality demands/requirements Specification of the quality/performance expectations or standards to which the items must conform.
QUT	Quotation instruction/information Note contains quotation information.
REG	Regulatory information The free text contains information for regulatory authority.
RET	Return to origin information Free text information on an IATA Air Waybill to indicate consignment returned because of non delivery.
REV	Receivables The text contains receivables information.
RQR	Requested routes/routing instructions [3074] Names of places via which the consignor requests a consignment to be routed.
RQT	Tariffs and route requested [4120] Stipulation of the tariffs to be applied showing, where applicable, special-agreement numbers or references; indication of routes by frontier points or by frontier stations and, when necessary, by transit stations between.
RTI	Returns information (GS1 Temporary Code) Information related to the return of goods. GS1 Note: Code marked for deletion. Use value BAM instead.
SAF	Safety information The text contains safety information.
SIC	Sender's instruction to carrier [4284] Instructions given and declarations made by the sender to the carrier concerning Customs, insurance, and other formalities.

Used Codes

SID	Sub line item (GS1 Temporary Code) Note contains information related to sub line item data. GS1 Note: Code marked for deletion. Use value BAN instead.
SIN	Special instructions Special instructions like licence no, high value, handle with care, glass.
SPH	Special handling Note contains special handling information.
SSR	Special service request Request for a special service concerning the transport of the goods.
SUR	Supplier remarks Remarks from or for a supplier of goods or services.
TIN	Test information (GS1 Temporary Code) Information related to a test which will be, or has been, carried out. GS1 Note: Code marked for deletion. Use value BAO instead.
TRA	Transportation information General information regarding the transport of the cargo.
TXD	Tax declaration The text contains a statement constituting a tax declaration.
WHI	Warehouse instruction/information Note contains warehouse information.
XYZ	No partial delivery (GS1 Temporary Code) The goods that are not delivered have to be re-ordered by the buyer. Supplier only delivers the goods they have in stock at that moment. One order leads to one delivery.
ZXL	External link (GS1 Temporary code) The external link to a digital document (e.g.: URL) GS1 Note 1: This Code value can be used if no EFI segment is available. If the type of the referenced document (e.g. proof-of-delivery.pdf) can be identified by a code value of DE 1001, this code value should be used to fill DE 4441. (e.g. 78E), DE 3055 = 9. GS1 Note 2: Code marked for deletion. Use value BAP instead.
ZYZ	Partial delivery allowed (GS1 Temporary Code) The supplier keeps delivering until the entire order is fulfilled. One order can lead to many deliveries. The buyer doesn't need to place a new order; they just waits for the other goods to be delivered.
ZZZ	Mutually defined Note contains information mutually defined by trading partners.
4453	Free text function code Code specifying the function of free text.

Used Codes

1	Text for subsequent use The occurrence of this text does not affect message processing.
4461	Payment means code Code identifying a means of payment.
3	Automated clearing house debit A debit transaction made through the automated clearing house system.
8	Hold Indicates that the bank should hold the payment for collection by the beneficiary or other instructions.
10	In cash Payment by currency (including bills and coins) in circulation, including checking account deposits.
15	Bookentry credit A credit transaction, initiated from the buyer's account to the seller's account at the same financial institution. GS1 Description: A credit transaction, initiated from the buyer's account to the seller's account at the same financial institution.
16	Bookentry debit A debit transaction initiated from the seller's account to the buyer's account at the same financial institution.
20	Cheque Self explanatory.
21	Banker's draft Issue of a banker's draft in payment of the funds.
23	Bank cheque (issued by a banking or similar establishment) Payment by a pre-printed form, which has been completed by a financial institution, on which instructions are given to an account holder (a bank or building society) to pay a stated sum to a named recipient.
24	Bill of exchange awaiting acceptance Bill drawn by the creditor on the debtor but not yet accepted by the debtor.
25	Certified cheque Payment by a pre-printed form stamped with the paying bank's certification on which instructions are given to an account holder (a bank or building society) to pay a stated sum to a named recipient .
26	Local cheque Indicates that the cheque is given local to the recipient.
27	ACH demand corporate trade payment (CTP) debit A debit transaction made through the ACH system to a demand deposit account using the CTP payment format.

Used Codes

28	ACH demand corporate trade exchange (CTX) credit A credit transaction made through the ACH system to a demand deposit account using the CTX payment format.
30	Credit transfer Payment by credit movement of funds from one account to another.
31	Debit transfer Payment by debit movement of funds from one account to another.
42	Payment to bank account
49	Direct debit The amount is to be, or has been, directly debited to the customer's bank account.
50	Payment by postgiro Payment is made by postal giro.
54	Credit card Payment made by means of credit card. GS1 Note: Replaces GS1 Temporary Code 11E.
55	Debit card Payment made by means of debit card. GS1 Note: Replaces GS1 Temporary Code 12E.
56	Bankgiro Payment will be, or has been, made by bankgiro. GS1 Note: Replaces GS1 Temporary Code 14E.
60	Promissory note Payment is made by promissory note.
70	Bill drawn by the creditor on the debtor Bill drawn by the creditor on the debtor.
74	Bill drawn by the creditor on a bank Bill drawn by the creditor on a bank.
97	Clearing between partners Amounts which two partners owe to each other to be compensated in order to avoid useless payments.
10E	Payment terms defined in the Commercial Account Summary (GS1 Temporary Code) Code indicating that the payment terms will be defined in a later Commercial Account Summary (COACSU) message.
11E	Credit card (GS1 Temporary Code) Payment made by means of credit card. GS1 Note: Code marked for deletion. Use value 54 instead.

Used Codes

12E	Debit card (GS1 Temporary Code) Payment made by means of debit card. GS1 Note: Code marked for deletion. Use value 55 instead.
13E	Payment terms defined in consolidated invoice (GS1 Temporary Code) Special conditions where the payment terms are specified in a consolidated invoice.
14E	Payment by bankgiro (GS1 Temporary Code) Payment will be, or has been, made by bankgiro. GS1 Note: Code marked for deletion. Use value 56 instead.
4465	Adjustment reason description code Code specifying the adjustment reason.
1	Agreed settlement Self explanatory. GS1 Description: Adjustment has been made as part of an agreed settlement.
2	Below specification goods Goods of inferior quality.
3	Damaged goods Self explanatory. GS1 Description: Adjustment has been made because of damaged goods.
4	Short delivery Self explanatory. GS1 Description: Adjustment has been made to take into account short delivery.
5	Price query Self explanatory. GS1 Description: Adjustment has been made to take into account a price query.
6	Proof of delivery required The buyer requires that proof of delivery be made before payment. GS1 Description: Adjustment because no proof of delivery was available.
7	Payment on account Buyer is to make payment later. GS1 Description: Adjustment has been made because payment is on account.
8	Returnable container charge included Adjustment made to deduct the returnable container charge. GS1 Description: Adjustment has been made because of an included returnable container charge.

Used Codes

9	Invoice error Invoice not in accordance with the order. GS1 Description: Adjustment has been made to take into account invoice error.
14	Wrong delivery Delivery not according to specifications.
16	Goods partly returned Goods partly returned.
17	Transport damage Goods damaged in transit.
18	Goods on consignment Buyer does not accept invoice(s) charge as it relates to goods where the ownership remains with the seller until sold.
19	Trade discount Trade discount deducted from payment.
20	Discount for late delivery Penalty amount deducted for later delivery.
21	Advertising costs Advertising costs deducted from payment.
26	Taxes Taxes deducted from payment.
32	Goods not delivered Buyer has not received the goods.
35	Goods returned Buyer returned the goods to seller.
38	Deducted bonus Buyer has/will deduct a bonus he is entitled to from payment.
40	Deducted freight costs Buyer has/will deduct freight costs from the payment
52	Wrong invoice Invoice issued to wrong party.
56	Incorrect discount Buyer states that calculated discount on the invoice(s) is wrongly calculated.
57	Price change Price has been changed.
64	Expecting new terms Buyer expects that seller revises the terms of payment of an invoice.

Used Codes

66	Cash discount An adjustment has been made due to the application of a cash discount.
67	Delcredere costs Costs deducted from a total amount to pay for the services of central payment.
68	Early payment allowance adjustment Adjustment results from the application of an early payment allowance.
69	Incorrect due date for monetary amount Adjustment has been made because an incorrect due date was referred to with regard to the monetary amount.
70	Wrong monetary amount resulting from incorrect free goods quantity Adjustment has been made because of a wrong monetary amount resulting from an incorrect free goods quantity.
71	Rack or shelf replenishment service by a supplier Adjustment due to the replenishment of the racks or shelves by a supplier.
72	Temporary special promotion Adjustment due to a temporary special promotion. GS1 Note: Replaces GS1 Temporary Code 37E.
73	Difference in tax rate Adjustment due to a difference in tax rate.
74	Quantity discount Adjustment due to a quantity discount. GS1 Description: Quantity discount deducted from payment, when a purchase quantity threshold has been met or exceeded.
75	Promotion discount Adjustment due to a promotion discount.
77	Pricing discount An adjustment has been made due to the application of a pricing discount. EDIFACT
79	Sundry discount An adjustment has been made due to the application of a sundry discount. EDIFACT
90	Treasury management service charge Charge for the service of treasury management. This code is used if service provider responsible for treasury management is deducting the invoice by own service charge.
98	Incorrect references Adjustment has taken place because of incorrect references. GS1 Note: Replaces GS1 Temporary Code 10E.

Used Codes

99	<p>Incorrect identification of the buyer Adjustment has taken place because of incorrect identification of the buyer. GS1 Note: Replaces GS1 Temporary Code 12E.</p>
100	<p>Incorrect product identification Adjustment has taken place because of incorrect product identification. GS1 Note: Replaces GS1 Temporary Code 13E.</p>
101	<p>New employee The reason for the adjustment is a new employee. GS1 Note: Replaces GS1 Temporary Code 19E.</p>
102	<p>Employee retirement The reason for the adjustment is the retirement of an employee. GS1 Note: Replaces GS1 Temporary Code 20E.</p>
103	<p>Salary change The reason for the adjustment is a salary change. GS1 Note: Replaces GS1 Temporary Code 21E.</p>
104	<p>Parental leave The reason for the adjustment is a parental leave. GS1 Note: Replaces GS1 Temporary Code 22E.</p>
10E	<p>Incorrect references (GS1 Temporary Code) Adjustment has taken place because of incorrect references. GS1 Note: Code marked for deletion. Use value 98 instead.</p>
11E	<p>Incorrect charge (GS1 Temporary Code) Adjustment has taken place because of an incorrect charge.</p>
12E	<p>Incorrect identification of the buyer (GS1 Temporary Code) Adjustment has taken place because of incorrect identification of the buyer. GS1 Note: Code marked for deletion. Use value 99 instead.</p>
13E	<p>Incorrect product identification (GS1 Temporary Code) Adjustment has taken place because of incorrect product identification.</p>
19E	<p>New employee (GS1 Temporary Code) The reason of the adjustment is a new employee. GS1 Note: Code marked for deletion. Use value 101 instead.</p>
20E	<p>Employee retirement (GS1 Temporary Code) The reason of the adjustment is a retiring of the employee. GS1 Note: Code marked for deletion. Use value 102 instead.</p>
21E	<p>Salary change (GS1 Temporary Code) The reason of the adjustment is a salary change. GS1 Note: Code marked for deletion. Use value 103 instead.</p>
22E	<p>Maternity licence (GS1 Temporary Code) The reason for the adjustment is a maternity licence. GS1 Note: Code marked for deletion. Use value 104 instead.</p>

Used Codes

23E	Job accident (GS1 Temporary Code) An adjustment is due to a job accident.
24E	No exceptional situation (GS1 Temporary Code) There are no exceptional situations.
25E	Temporary suspension of the contract (GS1 Temporary Code) When the contract is suspended, there are no contributions.
26E	Employee incapacity (GS1 Temporary Code) The employee's professional incapacity.
27E	Holiday (GS1 Temporary Code) An adjustment is due to holidays.
28E	Voluntary pension (GS1 Temporary Code) Voluntary pension amount.
29E	Change in salary (GS1 Temporary Code) A contribution change according to the salary.
30E	Special tariff (GS1 Temporary Code) Special tariff given.
31E	Various work places (GS1 Temporary Code) Person working in various places.
37E	Extraordinary promotion services (GS1 Temporary Code) Extraordinary, not permanent promotion services. GS1 Note: Code marked for deletion. Use value 72 instead.
ZZZ	Mutually defined A code assigned within a code list to be used on an interim basis and as defined among trading partners until a precise code can be assigned to the code list.
5025	Monetary amount type code qualifier Code qualifying the type of monetary amount.
1	VAT, 1st value First VAT value if, for the same rate of VAT, there are 1 to 3 different ways to set this value.
5	Adjusted amount The amount specified is the adjusted amount.
7	Agreed charge Charges which parties agreed upon.
8	Allowance or charge amount [5422] Total amount of allowance or charge.

Used Codes

9	Amount due/amount payable Amount to be paid.
11	Amount paid Amount that has been paid.
12	Amount remitted Amount which was remitted (see remittance advice).
13	Amount subject to total monetary discount The amount is subject to a total monetary discount.
21	Cash discount Cash discount given by the seller to the buyer. GS1 Description: Cash discount given by the seller to the buyer where payment is made in advance of receipt of goods.
22	Cash on delivery amount Amount to be collected by carrier upon delivery of goods. This amount represents approximately the value of the goods.
23	Charge amount The amount of money charged for the provision of a service or product.
25	Charge/allowance basis The amount specified is the basis for calculation of charges/allowance.
36	Converted amount The amount is converted from another currency.
38	Invoice item amount (5068) Total sum charged in respect of a single Invoice item in accordance with the terms of delivery.
39	Invoice total amount [5444] Total sum charged in respect of one or more Invoices in accordance with the terms of delivery.
40	Customs value (5032) Value declared for Customs purposes on those goods in a consignment which are subject to the same Customs procedure, and have the same tariff/statistical heading, country information and duty regime.
43	Declared total Customs value [5070] Total value declared for Customs purposes of all goods in a consignment, whether or not they are subject to the same Customs procedure, or have the same tariff/statistical heading, country information, and duty regime.
44	Declared value for carriage (5036) Value, declared by the shipper or his agent solely for the purpose of varying the carrier's level of liability from that provided in the contract of carriage, in case of loss or damage to goods or delayed delivery.

Used Codes

48	Deposit total The whole amount of money that one entrusts for safekeeping.
50	Disbursements Amount of disbursements to be collected by the carrier according to the order given by the shipper.
51	Disbursements fee Fee charged for the collection of disbursements.
52	Discount amount The amount specified is the discount amount.
53	Discount amount due The amount of discount that is due. GS1 Description: The amount due for a discount.
55	Duty amount The amount of duty. GS1 Description: The amount due for a duty.
56	Duty/tax/fee basis amount The amount specified is the basis for duty/tax or fee.
57	Equivalent amount This amount is equivalent to the amount to be transferred, but in another currency.
60	Final (posted) amount The amount posted to an account, finally, after charges/allowances.
64	Freight charge Amount to be paid for moving goods, by whatever means, from one place to another, inclusive discounts, allowances, rebates, adjustment factors and additional cost relating to freight costs (UN/ECE Recommendation no 23).
74	Amount to be paid in advance Amount which is to be paid before goods are delivered or the service is rendered.
75	Registered capital Registered amount of equity of a company.
77	Invoice amount [5068] Total sum charged in respect of a single Invoice in accordance with the terms of delivery.
79	Total line items amount The sum of all the line item amounts.
81	Loading and handling cost Cost incurred by loading and handling.

Used Codes

83	Lumpsum An agreed sum of money, which is paid in full at one time. This term is often used in connection with charter parties.
86	Message total monetary amount The total of all monetary amounts contained within the message.
97	Offer amount [5210] Total amount of an offer.
98	Original amount Original amount, without charges, allowances or adjustment.
103	Other deductible charges Other charges deducted from the total invoice value.
106	Packing cost Cost for packing concerning labour and/or material.
109	Payment discount amount Amount subject to payment discount.
113	Prepaid amount (5302) Amount which has been prepaid in advance.
119	Received amount The amount is what the bank received, and the one before charges/allowances.
124	Tax amount Tax imposed by government or other official authority related to the weight/volume charge or valuation charge.
125	Taxable amount Amount on which a tax has to be applied. GS1 Description: The monetary amount liable to tax.
126	To collect Amount that has to be collected.
128	Total amount The amount specified is the total amount.
129	Total amount subject to payment discount Part of the invoice amount which is subject to payment discount.
130	Total charge due Total amount of charges payable to the carrier.
131	Total charges/allowances The amount specified is the total of all charges/allowances.
134	Total declared The total value of declared amounts.

Used Codes

138	Total monetary discount amount Total of monetary discount amounts.
139	Total payment amount A complete charge for goods or services rendered.
140	Total service charge The complete payment owed to one who has performed work for another.
142	Trade discount Discount given to any purchaser at a particular commercial level e.g. at wholesale or retail level.
143	Transfer amount The amount which has been transferred from buyer to the sellers bank.
144	Transport charges (Customs) (5292) Cost incurred by shipper in moving goods, by whatever means, from one place to another under the terms of the contract of carriage, see UN/ECE Recommendation No 23. Synonym: freight charges (Customs).
146	Unit price (5110) Reporting monetary amount is a "per unit" amount.
150	Value added tax [5490] Amount in national currency resulting from the application, at the appropriate rate, of value added tax (or similar tax) to the invoice amount subject to such tax.
157	Insurance value (5010) Value for which the goods are insured.
159	Licence (value deducted) Amount in the currency of the licence to be written off from the total licence value.
161	Duty, tax or fee amount Amount of duty, tax or fee.
165	Adjustment amount Amount being the balance of the amount to be adjusted and the adjusted amount.
176	Message total duty/tax/fee amount Total of all duty/tax/fee amounts.
177	Message total amount prepaid Total of all prepaid amounts within the message.
178	Exact amount Specific amount. GS1 Description: A specific monetary amount.

Used Codes

200	Minimum amount due The minimum amount that must be paid on an amount now due for payment.
201	Penalty amount The penalty charge incurred if or because conditions are not met. GS1 Description: A value indicating a penalty amount.
202	Interest amount The amount of interest charged or paid on a debit or credit balance.
203	Line item amount Goods item total minus allowances plus charges for line item. See also Code 66.
204	Allowance amount The amount of an allowance.
209	Agent commission amount Amount which has to be paid to an agent.
210	Credit note amount Amount of a credit note.
211	Debit note amount Amount of a debit note.
212	Documentary credit amount Amount of the documentary credit.
227	Deposit Part of the amount of retention, not covered by guarantee of retention, and thus deducted from the amount paid to the contractor until release of retention. GS1 Description: The money paid as a guarantee in case one damages or loses something one is renting. This money is returned if no damage is caused.
236	Amount subject to price adjustment Amount which is used as the basis for price adjustment calculation.
257	Amount subject to dispute The amount that is being disputed.
259	Total charges Self-explanatory. GS1 Description: Total charges amount.
260	Total allowances Self-explanatory.
262	Instalment amount Amount paid or due for a single instalment of an instalment payment scheme.

Used Codes

263	Outstanding amount Amount still remaining outstanding for payment.
265	Commission amount Amount of any commission.
271	Nominal salary The salary amount without special allowances or other cash benefits.
272	Taxable salary The salary amount which is taxable.
276	Annual salary Self-explanatory.
277	Total contributions amount Sum of individual contributions.
278	Voluntary contribution amount The amount is for a non-compulsory contribution.
286	Administration charge Charge made for an administration activity.
289	Subtotal amount Total amount of money that is part of a complete amount.
296	Total authorised deduction Total amount of authorised deductions.
304	Other charges Miscellaneous charges.
315	Opening balance (SWIFT Code) The amount of the opening balance.
343	Closing balance (SWIFT Code) The closing balance is the last balance for a reporting period.
344	Value date balance (SWIFT Code) This is the balance on value date.
345	Cost amount for providing the balance (SWIFT Code) Cost information for providing the statement.
346	Total credits (SWIFT Code) The total of all credit items reported.
347	Total debits (SWIFT Code) The total of all debit items reported.
348	Booked amount on the account (SWIFT Code) Booked amount on the account.

Used Codes

349	Pending amount to be booked on account (SWIFT Code) The amount which is pending booking on a financial account.
350	Damage repair cost Cost incurred by repair of the damage.
357	Interim opening balance (SWIFT Code) The opening balance of a consecutive statement.
358	Interim closing balance (SWIFT Code) The closing balance of a consecutive statement.
359	Balance to be confirmed for audit reasons Balance to be confirmed for audit reasons.
360	Accrued debit interest (SWIFT Code) Accrued debit interest.
361	Accrued credit interest (SWIFT Code) Accrued credit interest.
369	Goods and services tax Amount charged as tax on goods and services.
388	Total amount including Value Added Tax (VAT) The total monetary amount which includes the Value Added Tax (VAT).
396	Total price subsidy value The total value of all price subsidies.
397	Advertising amount Amount related to advertising.
400	Rebate amount The amount of a rebate.
401	Debt financing charge A charge amount related to the financing of a debt.
402	Total retail value The total retail value of all products.
462	Annual turnover The annual turnover.
496	Total returnable packages deposit amount Total deposit amount for returnable packages.
497	Goods and services total amount excluding returnable goods Total amount of goods and services excluding deposits for returnable goods.
503	Contract total amount Total value of a contract.

Used Codes

505	Rental amount The amount to be paid for the right to use a place, product or service.
506	Gross-progress payment amount Gross monetary amount paid or to be paid at intervals.
507	Net-progress payment amount Net monetary amount paid or to be paid at intervals.
508	Value of returned product Value of product returned by the customer.
509	Unit allowance amount The monetary amount of an allowance for each unit.
526	Volume discount A discount for reaching or exceeding an agreed volume.
527	Product range discount Discount for the purchase of a whole range of products.
528	Calculation basis excluding all taxes The amount used as the basis for calculation excludes all taxes.
529	Calculation basis which includes all taxes except VAT The amount, used as the basis for calculation, which includes all taxes except Value Added Tax (VAT).
542	Unloading and handling cost Cost incurred by unloading and handling.
544	Taxable amount - excluding payment discount amount Indication of the total taxable amount before deducting payment discount amount.
545	Must buy product in multi-buy promotions value The value of a product which must be bought in order to qualify for the multi-buy promotion. GS1 Note: Replaces GS1 Temporary Code 29E.
546	Additional voluntary contribution amount Additional voluntary contribution amount paid by the employee. GS1 Note: Replaces GS1 Temporary Code 33E.
547	Interest amount over employee's obligatory contribution Interest amount calculated over the employee's obligatory contribution. GS1 Note: Replaces GS1 Temporary Code 34E. EDIFACT code added, replacing GS1 code 34E
548	Prepaid amount related to the obligatory contribution Prepaid amount related to the employee's obligatory contribution. GS1 Note: Replaces GS1 Temporary Code 39E.

Used Codes

549	Amount to be compensated between social security entities Amount which needs to be compensated between social security entities. GS1 Note: Replaces GS1 Temporary Code 40E.
550	Bank check amount Amount to be paid by bank check.
10E	Value of coins (GS1 Temporary Code) The amount of change which is given by cigarette vending machines.
28E	Financing allowance/charge (GS1 Temporary Code) A charge or allowance related to the financing of a debt.
29E	Multi-buy promotion value (GS1 Temporary Code) A value of a product included in a multi-buy promotion which must be purchased in order to qualify for the multi-buy promotion. GS1 Note: Code marked for deletion. Use value 545 instead.
32E	Exceptional situation amount (GS1 Temporary Code) Amount of the exceptional situation that affects the normal contribution of the employee in a given period.
33E	Additional voluntary contribution amount (GS1 Temporary Code) Additional voluntary contribution amount paid by the employee. GS1 Note: Code marked for deletion. Use value 546 instead.
34E	Interest amount over employee's obligatory contribution (GS1 Temporary Code) Interest amount calculated over the employee's obligatory contribution (GS1 Temporary Code) GS1 Note: Code marked for deletion. Use value 547 instead.
35E	Total returnable items deposit amount (GS1 Temporary Code) Total deposit amount for returnable items.
39E	Prepaid amount related to the obligatory contribution (GS1 Temporary Code) Prepaid amount related to the employee's obligatory contribution. GS1 Note: Code marked for deletion. Use value 548 instead.
40E	Amount to be compensated between social security entities (GS1 Temporary Code) Amount which needs to be compensated between social security entities. GS1 Note: Code marked for deletion. Use value 549 instead.
41E	Interest over solidarity fund (GS1 Temporary Code) Interest to pay because contribution to solidarity fund was not paid on time.
42E	Interest over employee additional contribution (GS1 Temporary Code) Interest to pay because contribution to employee additional contribution was not paid on time.
X41	Total returnable items rental fee amount (GS1 Temporary Code) Total rental fee amount for returnable items.

Used Codes

X42	Rental fee (GS1 Temporary Code) The amount charged for the rental of an item.
XB5	Information amount (SWIFT Code) A monetary amount provided for information purposes.
XB6	Beneficiary's account number unknown (SWIFT Code) The account number of the beneficiary is unknown.
5153	Duty or tax or fee type name code Code specifying a type of duty, tax or fee.
100	Insurance tax (GS1 Temporary Code) A tax levied specifically on insurances.
AAD	Tobacco tax A tax levied on tobacco products.
AAF	Coffee tax A tax levied specifically on coffee products.
AAJ	Tax on replacement part A tax levied on a replacement part, where the original part is returned. GS1 Description: A tax levied on replacement parts, calculated as a second VAT.
AAK	Mineral oil tax Tax that is levied specifically on products containing mineral oil.
ACT	Alcohol tax (GS1 Temporary Code) A tax levied specifically on alcoholic products.
CAR	Car tax A tax that is levied on the value of the automobile. GS1 Description: A tax levied on the ownership or use of cars.
ENV	Environmental tax Tax assessed for funding or assuring environmental protection or clean-up.
EXC	Excise duty Customs or fiscal authorities code to identify a specific or ad valorem levy on a specific commodity, applied either domestically or at time of importation.
GST	Goods and services tax Tax levied on the final consumption of goods and services throughout the production and distribution chain.
IMP	Import tax Tax assessed on imports.
OTH	Other taxes Unspecified, miscellaneous tax charges.

Used Codes

VAT	Value added tax A tax on domestic or imported goods applied to the value added at each stage in the production/distribution cycle.
5245	Percentage type code qualifier Code qualifying the type of percentage.
1	Allowance (5424) Allowance expressed as a percentage.
2	Charge (5424) Charge expressed as a percentage.
3	Allowance or charge [5424] Allowance or charge expressed as a percentage.
7	Percentage of invoice Code specifying the percentage of invoice.
9	Adjustment Code specifying the adjustment expressed as a percentage.
12	Discount Discount expressed as a percentage.
15	Penalty percentage Code specifying the penalty percentage. GS1 Description: Percentage which will be/has been charged as a penalty.
16	Interest percentage Code specifying the interest percentage. GS1 Description: Interest percentage which will be/has been charged or allowed.
18	Percentage credit note Percentage of a credit note.
19	Percentage debit note Percentage of a debit note.
68	Percentage of due amount The percentage of an amount due.
159	Nestable percentage Extent expressed as a percentage to which an item can be nested within an identical item.
161	Transport weight completed The percentage of a transport weight that has been completed. GS1 Note: Replaces GS1 Temporary Code 10E.

Used Codes

162	<p>Transport volume completed</p> <p>The percentage of a transport volume that has been completed. GS1 Note: Replaces GS1 Temporary Code 11E.</p>
163	<p>Percentage of order</p> <p>Percentage of an order. GS1 Note: Replaces GS1 Temporary Code 9E.</p>
10E	<p>Transport weight completed (GS1 Temporary Code)</p> <p>The percentage of a transport weight reported as completed in a status report. GS1 Note: Code marked for deletion. Use value 161 instead.</p>
11E	<p>Transport cube completed (GS1 Temporary Code)</p> <p>The percentage of a transport cube reported as completed in a status report. GS1 Note: Code marked for deletion. Use value 162 instead.</p>
9E	<p>Percentage of order (GS1 Temporary Code)</p> <p>The percentage of an order to which a status report applies. GS1 Note: Code marked for deletion. Use value 163 instead.</p>
5249	<p>Percentage basis identification code</p> <p>Code specifying the basis on which a percentage is calculated.</p>
1	<p>Per unit</p> <p>Referenced percentage applies on a single unit basis.</p>
13	<p>Invoice value</p> <p>Referenced percentage applies on the invoice value.</p>
5273	<p>Duty or tax or fee rate basis code</p> <p>Code specifying the basis for a duty or tax or fee rate.</p>
1	<p>Value</p> <p>(5316) To specify that the applicable rate of duty, tax or fee is based on the Customs value (CCC).</p>
2	<p>Weight</p> <p>(6150) To specify that the applicable rate of duty, tax or fee is based on the weight of the item (CCC).</p>
3	<p>Quantity</p> <p>(6060) To specify that the applicable rate of duty, tax or fee is based on the quantity of the item (CCC).</p>
5283	<p>Duty or tax or fee function code qualifier</p> <p>Code qualifying the function of a duty or tax or fee.</p>
5	<p>Customs duty</p> <p>Duties laid down in the Customs tariff to which goods are liable on entering or leaving the Customs territory (CCC).</p>

Used Codes

6	Fee Charge for services rendered.
7	Tax Contribution levied by an authority.
5305	Duty or tax or fee category code Code specifying a duty or tax or fee category.
A	Mixed tax rate Code specifying that the rate is based on mixed tax. GS1 Description: Transaction includes item taxed at different rates.
AA	Lower Rate Tax rate is lower than standard rate.
AC	Value Added Tax (VAT) not now due for payment A code to indicate that the Value Added Tax (VAT) amount which is due on the current invoice is to be paid on receipt of a separate VAT payment request. GS1 Description: The value added tax is not due for payment now.
AE	VAT Reverse Charge Code specifying that the standard VAT rate is levied from the invoicee. GS1 Description: Code specifying that the rate is based upon the reverse charge VAT treatment which is always standard rate tax.
C	Duty paid by supplier Duty associated with shipment of goods is paid by the supplier; customer receives goods with duty paid.
D	Value Added Tax (VAT) margin scheme - travel agents Indication that the VAT margin scheme for travel agents is applied.
E	Exempt from tax Code specifying that taxes are not applicable. GS1 Description: All items in the transaction or a specific line item are exempt from tax.
F	Value Added Tax (VAT) margin scheme - second-hand goods Margin scheme for second-hand goods.
G	Free export item, tax not charged Indication that the VAT margin scheme for second-hand goods is applied.
H	Higher rate Code specifying a higher rate of duty or tax or fee. GS1 Description: All items in the transaction or a specific line item are taxed at the higher rate of tax.

Used Codes

I	Value Added Tax (VAT) margin scheme - works of art Indication that the VAT margin scheme for works of art is applied.
J	Value Added Tax (VAT) margin scheme - collector's items and antiques Indication that the VAT margin scheme for collector's items and antiques is applied.
O	Services outside scope of tax Code specifying that taxes are not applicable to the services.
S	Standard rate Code specifying the standard rate. GS1 Description: All items in the transaction or a specific line item are taxed at the standard rate of tax.
Z	Zero rated goods Code specifying that the goods are at a zero rate. GS1 Description: All items in the transaction or a specific line item are zero tax rated.
6069	Control total type code qualifier Code qualifying the type of control of hash total.
31	Number of messages Control count of the number of messages referenced. GS1 Description: Control count of the number of messages or documents referenced.
6343	Currency type code qualifier Code qualifying the type of currency.
1	Customs valuation currency The name or symbol of the monetary unit involved in the transaction for customs valuation.
3	Home currency The name or symbol of the local monetary unit.
4	Invoicing currency The name or symbol of the monetary unit used for calculation in an invoice.
5	Account currency The name or symbol of the monetary unit to be converted from.
8	Price list currency The name or symbol of the monetary unit used in a price list.
9	Order currency The name or symbol of the monetary unit used in an order.

Used Codes

10	Pricing currency The name or symbol of the monetary unit used for pricing purposes.
11	Payment currency The name or symbol of the monetary unit used for payment.
12	Quotation currency The name or symbol of the monetary unit used in a quotation.
13	Recipient local currency The name or symbol of the local monetary unit at recipient's location.
14	Supplier currency The name or symbol of the monetary unit normally used by the supplier.
15	Sender local currency The name or symbol of the local monetary unit at sender's location.
17	Charge calculation currency The currency in which the charges are calculated.
18	Tax currency The currency in which tax amounts are due or have been paid. EDIFACT
6345	Currency identification code Code specifying a monetary unit. Notes: 1. Use ISO 4217 three alpha code.
AED	Dirham
AFN	Afghani
ALL	Lek
AMD	Dram
ANG	Netherlands Antillian Guilder
AOA	Kwanza
ARS	Argentine Peso
AUD	Australian Dollar
AWG	Aruban Florin
AZN	Azerbaijan Manat
BAM	Convertible Mark
BBD	Barbados Dollar
BDT	Taka
BGN	Bulgarian Lev

Used Codes

BHD	Bahraini Dinar
BIF	Burundi Franc
BMD	Bermudian Dollar (customarily: Bermuda Dollar)
BND	Brunei Dollar
BOB	Boliviano
BOV	Mvdol
BRL	Brazilian Real
BSD	Bahamian Dollar
BTN	Ngultrum
BWP	Pula
BYN	Belarussian Ruble
BZD	Belize Dollar
CAD	Canadian Dollar
CDF	Franc Congolais
CHE	WIR Euro
CHF	Swiss Franc
CHW	WIR Franc
CLF	Unidad de Fomento
CLP	Chilean Peso
CNY	Yuan Renminbi
COP	Colombian Peso
COU	Unidad de Valor Real
CRC	Costa Rican Colon
CUC	Peso Convertible
CUP	Cuban Peso
CVE	Cabo Verde Escudo
CZK	Czech Koruna
DJF	Djibouti Franc
DKK	Danish Krone
DOP	Dominican Peso
DZD	Algerian Dinar
EGP	Egyptian Pound
ERN	Nakfa

Used Codes

ETB	Ethopian Birr
EUR	Euro
FJD	Fiji Dollar
FKP	Falkland Islands Pound
GBP	Pound Sterling
GEL	Lari
GHS	Ghana Cedi
GIP	Gibraltar Pound
GMD	Dalasi
GNF	Guinean Franc
GTQ	Quetzal
GYD	Guyana Dollar
HKD	Honk Kong Dollar
HNL	Lempira
HRK	Kuna
HTG	Gourde
HUF	Forint
IDR	Rupiah
ILS	New Israeli Sheqel
INR	Indian Rupee
IQD	Iraqi Dinar
IRR	Iranian Rial
ISK	Iceland Krona
JMD	Jamaican Dollar
JOD	Jordanian Dinar
JPY	Yen
KES	Kenyan Shilling
KGS	Som
KHR	Riel
KMF	Comorian Franc
KPW	North Korean Won
KRW	Won
KWD	Kuwaiti Dinar

Used Codes

KYD	Cayman Islands Dollar
KZT	Tenge
LAK	Lao Kip
LBP	Lebanese Pound
LKR	Sri Lanka Rupee
LRD	Liberian Dollar
LSL	Loti
LYD	Libyan Dinar
MAD	Morrocan Dirham
MDL	Moldovan Leu
MGA	Ariary
MKD	Denar
MMK	Kyat
MNT	Tugrik
MOP	Pataca
MRU	Ouguiya
MUR	Mauritius Rupee
MVR	Rufiyaa
MWK	Malawi Kwacha
MXN	Mexican Peso
MXV	Mexican Unidad de Inversion (UDI)
MYR	Malaysian Ringgit
MZN	Mozambique Metical
NAD	Namibia Dollar
NGN	Naira
NIO	Cordoba Oro
NOK	Norwegian Krone
NPR	Nepalese Rupee
NZD	New Zealand Dollar
OMR	Rial Omani
PAB	Balboa
PEN	Sol
PGK	Kina

Used Codes

PHP	Philippine Piso
PKR	Pakistan Rupee
PLN	Zloty
PYG	Guarani
QAR	Qatari Rial
RON	Romanian Leu This currency code is effective from 1 July 2005
RSD	Serbian Dinar
RUB	Russian Ruble
RWF	Rwanda Franc
SAR	Saudi Riyal
SBD	Solomon Islands Dollar
SCR	Seychelles Rupee
SDG	Sudanese Pound
SEK	Swedish Krona
SGD	Singapore Dollar
SHP	St. Helena Pound
SLL	Leone
SOS	Somali Shilling
SRD	Suriname Dollar
SSP	South Sudanese Pound
STN	Dobra
SVC	El Salvador Colon
SYP	Syrian Pound
SZL	Lilangeni
THB	Baht
TJS	Somoni
TMT	Turkmenistan New Manat
TND	Tunisian Dinar
TOP	Pa'anga
TRY	Turkish Lira
TTD	Trinidad and Tobago Dollar
TWD	New Taiwan Dollar

Used Codes

TZS	Tanzanian Shilling
UAH	Hryvnia
UGX	Uganda Shilling
USD	US Dollar
USN	US Dollar (Next day)
UYI	Uruguayo Peso en Unidades
UYU	Peso Uruguayo
UYW	Unidad Previsional
UZS	Uzbekistan Sum
VES	Bolívar Soberano
VND	Dong
VUV	Vatu
WST	Tala
XAF	CFA Franc
XAG	Silver
XAU	Gold
XBA	Bond Markets Units European Composite Unit (EURCO)
XBB	European Monetary Unit (E.M.U.-6)
XBC	European Unit of Account 9 (E.U.A.-9)
XBD	European Unit of Account 17 (E.U.A.-17)
XCD	East Carribean Dollar
XDR	SDR
XOF	CFA Franc
XPD	Palladium
XPF	CFP Franc
XPT	Platinum
XSU	Sucre
XTS	Codes specifically reserved for testing purposes
XUA	ADB Unit of Account
XXX	The codes assigned for transactions where no currency is involved
YER	Yemeni Rial
ZAR	Rand
ZMW	Zambian Kwacha

Used Codes

ZWL	Zimbabwe Dollar (effective 1 February 2009)
-----	--

6347	Currency usage code qualifier Code qualifying the usage of a currency.
-------------	---

1	Charge payment currency The currency in which charges are to be paid.
---	--

2	Reference currency The currency applicable to amounts stated. It may have to be converted.
---	---

3	Target currency The currency which should be used to the target destination of the transaction.
---	--

Example

DTM+137:X:102'

DTM+137:20020511:102'

NAD+AB+X::9+X:::X+X:X:X:X:X:1+X:X:X:X+X+X:23:2:X+X+AD'

NAD+DP+5412345111115::9'

RFF+AAK:X:X'

RFF+ON:VR12345'

DTM+171:X:102'

DTM+171:20020501:102'

MOA+9:9'

MOA+9:5300'

TAX+5+GST:23:2:X+X:23:2+X+X:23:2:X:1:23:2+A+X'

TAX+7+VAT+++:::21+S'

AJT+1'

AJT+4'

MOA+5:9'

MOA+5:300'

RFF+DQ:X'

RFF+PL:425'

UNS+S'

UNS+S'

MOA+9:9'

MOA+9:2100'

TAX+5+GST:23:2:X+X:23:2+X+X:23:2:X:1:23:2+A+X'

TAX+7+VAT+++:::21+S'

DTM+138:X:102'

DTM+140:30:804'

CNT+31:12'

CNT+31:12'

UNT+33+X'

UNT+33+ME000001'

UNZ+1+12345555'

UNZ+5+12345555'
